

Part Number	MFR-4-376-M12	Revision	
Customer P/N		Revision	
Capacitance	37	uF.	Tolerance 5%
Voltage	450	VAC	
Dielectric	Metallized Polypropylene		
Terminal Type	2.8mm x 0.8mm Soldering Tags		
Operating Temperature	-40	85	°C.
Dissipation Factor	0.0015	maximum	@ 60 Hz.

MOTOR
Capacitors, Inc.

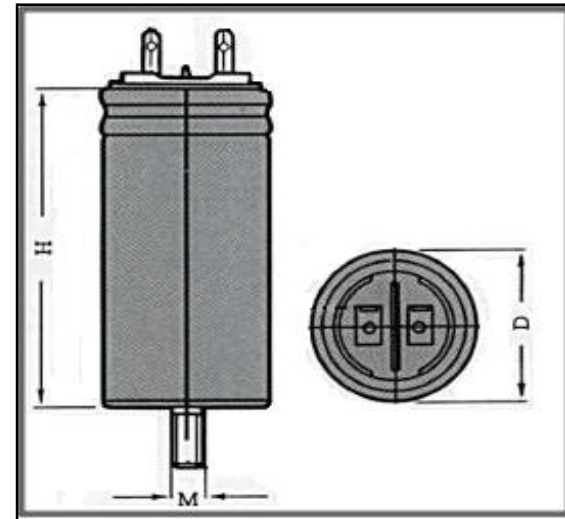


Motor Capacitors, Inc.
335 Beinoris Drive
Wood Dale, Illinois 60191
773-774-6666 (Phone) | 773-774-6690 (Fax)
www.capacitorindustries.com
info@capacitorindustries.com

	Dimension	Tolerance
Diameter (D)	2.17	0.02
Height (H)	5.15	0.04
Stud (M)	M12 Stud	

Dimensions in inches

Stamping	Logo / Italfarad
	MFR-4
	SH P2
	37 uF ±5% 450 VAC
	40/085/21 50/60 Hz
	VDE, CE
	Datecode



Engineer J.D. Aldana
Date July 19, 2016

