

Part Number	DAOM-3GJ1050		Revision
Customer P/N			Revision
Capacitance	50 + 10	uF.	Tolerance 5%
Voltage	370	VAC	
Dielectric	Metallized Polypropylene		
Terminal Type	.250" Quad-Spade Quick Connect Terminals		
Operating Temperature	-25	85 °C.	
Dissipation Factor	0.001	maximum @ 60 Hz.	

MOTOR Capacitors, Inc.

Motor Capacitors, Inc.

335 Beinoris Drive

Wood Dale, Illinois 60191

773-774-6666 (Phone) | 773-774-6690 (Fax)

www.capacitorindustries.com


info@capacitorindustries.com

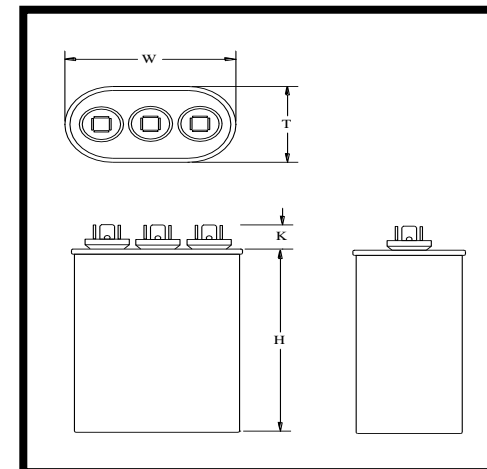
	Dimension	Tolerance
Case Width (W)	3.65	0.06
Case Thickness (T)	1.97	0.06
Case Height (H)	4.93	0.06
Terminal Height (K)	0.56	ref.
Terminal-Terminal (M)	0.81	ref.
Insulating Cup (dia.)	0.74	ref.

Dimensions in inches

Stamping
 10 / 50 uF. 5% 370V 50/60 Hz. SH Capacitor
 Motor Capacitors

Non PCB Protected 10,000 AFC
 DAOM-3GJ1050

ЯU сЯU 



Engineer J. D. Aldana
 Date September 29, 2000