

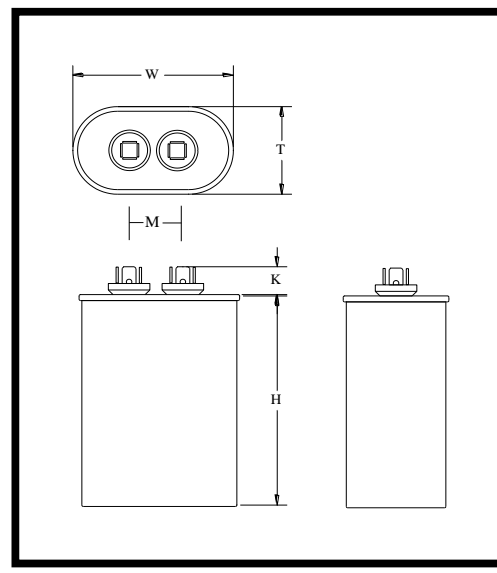
| | | | | |
|-----------------------|---|---------|---------------|-------------|
| Part Number | DAO-4DJ050 | | Revision | |
| Customer P/N | | | Revision | |
| Capacitance | 50 | uF. | Tolerance | 5.0% |
| Voltage | 440 | VAC | | |
| Dielectric | Metallized Polypropylene | | | |
| Terminal Type | .250" Quad-Spade Quick Connect Terminals | | | |
| Operating Temperature | -25 °C.- | | 85 °C. | |
| Dissipation Factor | 0.001 | maximum | @ 60 Hz. | |

MOTOR Capacitors, Inc.

Motor Capacitors, Inc.
335 Beinoris Drive
Wood Dale, Illinois 60191
773-774-6666 (Phone) | 773-774-6690 (Fax)
www.capacitorindustries.com
info@capacitorindustries.com

| | Dimension | Tolerance |
|----------------------------|------------------|------------------|
| Case / Cover Width (W) | 3.66 | 0.06 |
| Case / Cover Thickness (T) | 1.97 | 0.06 |
| Case Height (H) | 3.94 | 0.06 |
| Terminal Height (K) | 0.56 | ref. |
| Terminal-Terminal (M) | 0.81 | ref. |
| Insulating Cup (dia.) | 0.74 | ref. |


Dimensions in inches



Stamping
50 uF. 5% 440V 50/60 Hz. SH Capacitor
Motor Capacitors

Non PCB Protected 10,000 AFC
DAO-4DJ050

RU сРУ



Approval: *J. D. Aldana*
Date **September 29, 2000**