

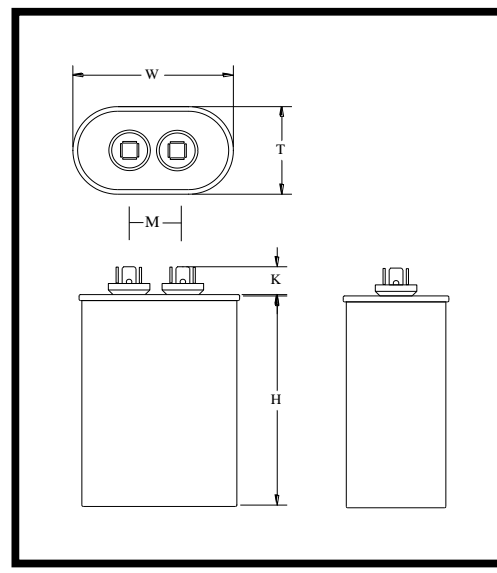
Part Number	DAO-3GJ015		Revision	
Customer P/N			Revision	
Capacitance	15	uF.	Tolerance	5.0%
Voltage	370	VAC		
Dielectric	Metallized Polypropylene			
Terminal Type	.250" Quad-Spade Quick Connect Terminals			
Operating Temperature	-25 °C.-		85 °C.	
Dissipation Factor	0.001	maximum	@ 60 Hz.	

MOTOR Capacitors, Inc.

Motor Capacitors, Inc.
 335 Beinoris Drive
 Wood Dale, Illinois 60191
 773-774-6666 (Phone) | 773-774-6690 (Fax)
www.capacitorindustries.com
info@capacitorindustries.com

	Dimension	Tolerance
Case / Cover Width (W)	2.89	0.06
Case / Cover Thickness (T)	1.85	0.06
Case Height (H)	2.56	0.06
Terminal Height (K)	0.56	
Terminal-Terminal (M)	0.81	ref.
Insulating Cup (dia.)	0.74	ref.

Dimensions in inches



Stamping
15 uF. 5% 370V 50/60 Hz. SH Capacitor
Motor Capacitors

Non PCB Protected 10,000 AFC
DAO-3GJ015

Approval: J. D. Aldana
 Date January 31, 2000