

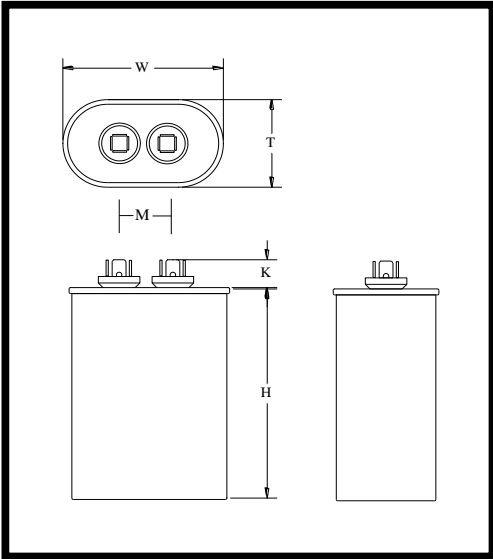
Part Number	<b>DAO-3GJ004</b>	Revision	
Customer P/N	<b>CAPA-370-04</b>	Revision	
Capacitance	<b>4</b>	uF.	Tolerance <b>5.0%</b>
Voltage	<b>370</b>	VAC	
Dielectric	<b>Metallized Polypropylene</b>		
Terminal Type	<b>.250" Quad-Spade Quick Connect Terminals</b>		
Operating Temperature	<b>-25 °C.-</b>	<b>85 °C.</b>	
Dissipation Factor	<b>0.001</b>	maximum	@ 60 Hz.

# MOTOR Capacitors, Inc.

Motor Capacitors, Inc.  
 335 Beinoris Drive  
 Wood Dale, Illinois 60191  
 773-774-6666 (Phone) | 773-774-6690 (Fax)  
[www.capacitorindustries.com](http://www.capacitorindustries.com)  
[info@capacitorindustries.com](mailto:info@capacitorindustries.com)

	Dimension	Tolerance
Case / Cover Width (W)	<b>2.17</b>	<b>0.06</b>
Case / Cover Thickness (T)	<b>1.38</b>	<b>0.06</b>
Case Height (H)	<b>2.17</b>	<b>0.06</b>
Terminal Height (K)	<b>0.56</b>	ref.
Terminal-Terminal (M)	<b>0.81</b>	ref.
Insulating Cup (dia.)	<b>0.74</b>	ref.

*Dimensions in inches*



Stamping  
**4 uF. 5% 370V 50/60 Hz. SH Capacitor**  
**Motor Capacitors**  
  
**Non PCB Protected 10,000 AFC**  
**DAO-3GJ004**

Approval: J. D. Aldana  
 Date February 8, 2000