

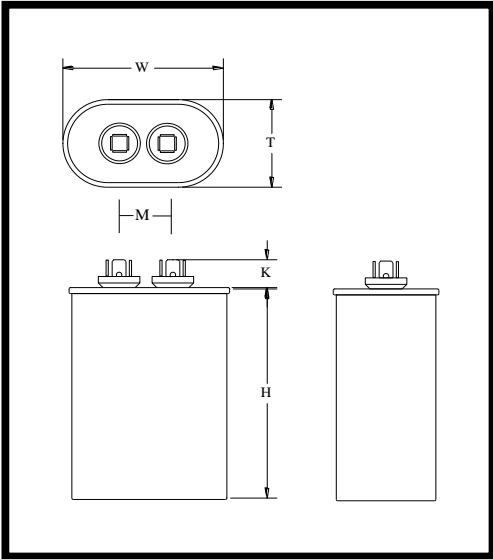
Part Number	DAO-2GE015	Revision	
Customer P/N	K01666-0052	Revision	
Capacitance	15	uF.	Tolerance 5.0%
Voltage	275	VAC	
Dielectric	Metallized Polypropylene		
Terminal Type	.250" Quad-Spade Quick Connect Terminals		
Operating Temperature	-25 °C.-	85 °C.	
Dissipation Factor	0.001	maximum	@ 60 Hz.

MOTOR Capacitors, Inc.

Motor Capacitors, Inc.
335 Beinoris Drive
Wood Dale, Illinois 60191
773-774-6666 (Phone) | 773-774-6690 (Fax)
www.capacitorindustries.com
info@capacitorindustries.com

	Dimension	Tolerance
Case / Cover Width (W)	2.17	0.06
Case / Cover Thickness (T)	1.38	0.06
Case Height (H)	2.56	0.06
Terminal Height (K)	0.56	ref.
Terminal-Terminal (M)	0.81	ref.
Insulating Cup (dia.)	0.74	ref.


Dimensions in inches



Stamping
15 uF. 5% 275V 50/60 Hz. SH Capacitor
Motor Capacitors

Non PCB Protected 10,000 AFC
DAO-2GE015

RU сРУ




Approval: *J. D. Aldana*
Date February 18, 2000