

REVISIONS				
ZONE	REV	DESCRIPTION	DATE	APPROVED

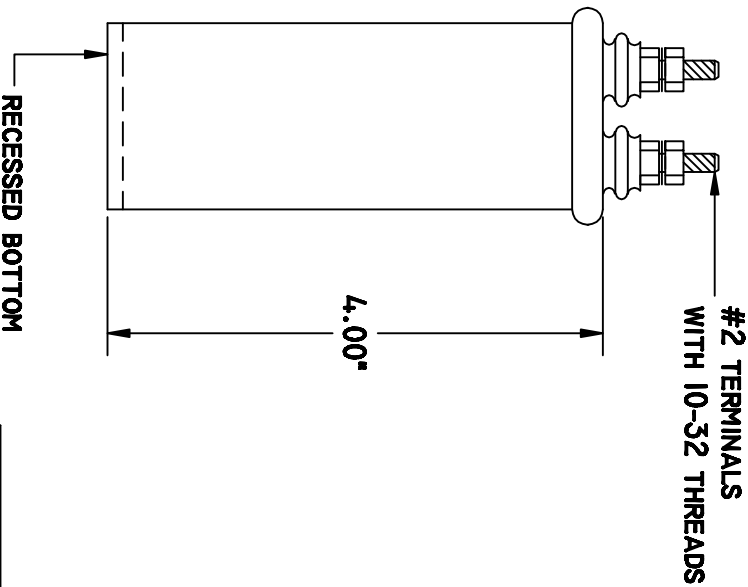
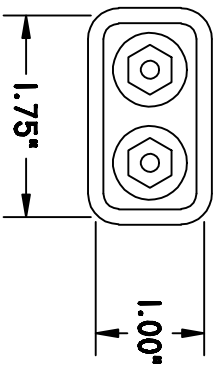
SPECIFICATIONS:

CAPACITANCE:	0.5 uF ± 10%
RATED VOLTAGE:	4,000 VDC
DIELECTRIC:	PAPER / MYLAR
IMPREGNATION FLUID:	MINERAL OIL (NON-PCB)
DISSIPATION FACTOR:	0.5% MAX.
CASE:	STEEL CAN
FINISH:	MILITARY GRAY ENAMEL

NOTE: NON-POLARIZED CAPACITOR

MARKING:

MANUFACTURER
CAPACITANCE AND TOLERANCE
RATED VOLTAGE
PART NUMBER
DATE CODE
"NON-PCB"



Chicago
CONDENSER CORP

Chicago Condenser		CSC PART NUMBER		CMP504-4M	
Division of Capacitor Industries 335 Behnolds Drive Wood Dale, IL 60191		CUSTOMER PART NUMBER		-----	
DRAWING BY:	JDGA	DATE DWG	08/20/18	DWG NO.	
APPROVED BY:	LD	SCALE		SHEET	
				REV	