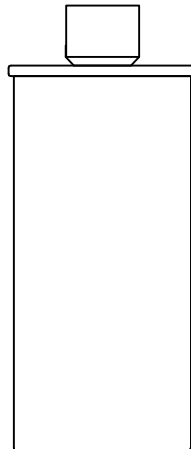
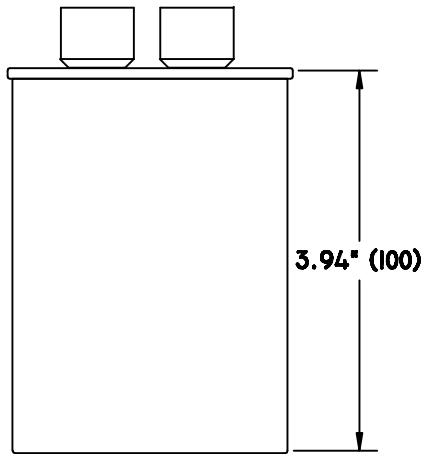
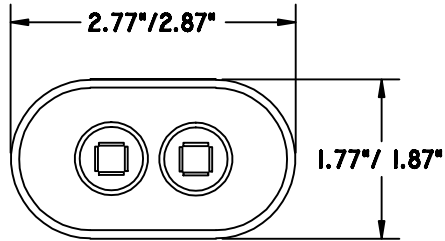


REVISIONS				
ZONE	REV	DESCRIPTION	DATE	APPROVED



SPECIFICATION

CAPACITANCE: 1.30 UF +/-3%
RATED VOLTAGE: 2,500 VAC @ 50/60 HZ
OPERATING TEMPERATURE: -10°C ~ +85°C
CASE: ALUMINUM
TERMINALS: THREE-BLADE AMP .250 QUICK-CONNECT
DIELECTRIC: PAPER-FILM COMPOSITE
DISSIPATION FACTOR: <0.30%, 50 HZ.)
BLEEDER RESISTOR: 10 M OHMS

ALL DIMENSIONS: +/- 0.03"

STAMPING:

MOTOR-CAP
CH85-2500-135
1.30uF (+/-3%)
2500 VAC 50/60HZ.
-10° +85°C
NON-PCB OIL



Motor Capacitors, Inc Division of Capacitor Industries 335 Beinoris Drive Wood Dale, IL 60191		<small>HCI PART NUMBER</small> CH85-2500-135		
		<small>CUSTOMER PART NUMBER</small> -----		
<small>DRAWING BY:</small> JDGA	<small>DATE DWG</small> 08/06/15	<small>DWG NO.</small>	<small>REV</small>	
<small>APPROVED BY:</small> LD	<small>SCALE</small>	<small>SHEET</small>		