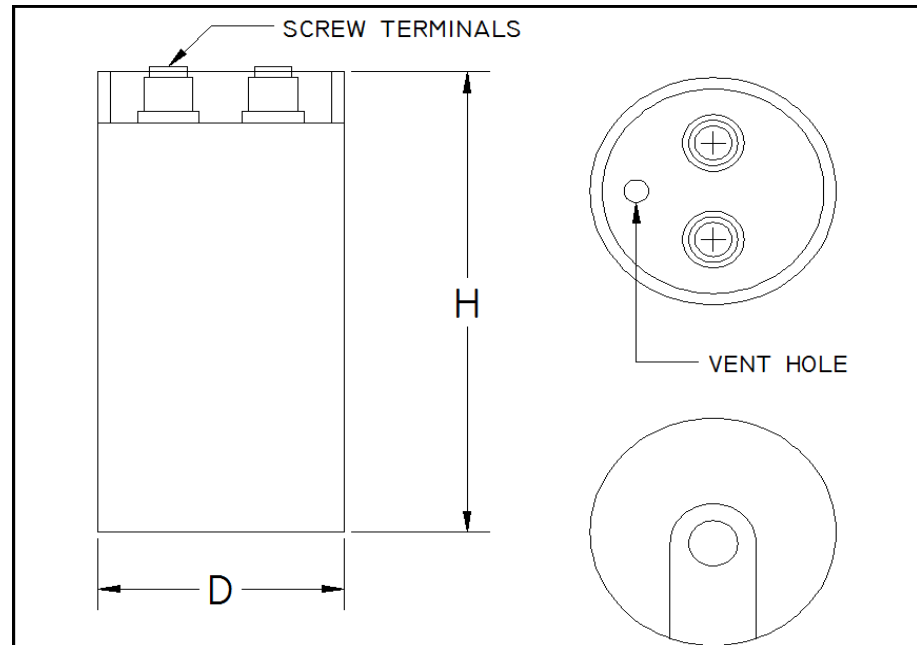



Part Number	<b>CD60S-1AJ460562</b>	Revision	<b>A</b>
Customer P/N	<b>743-000-020</b>	Revision	<b>A</b>
Capacitance	<b>460</b> to <b>562</b>		<b>uF.</b>
Voltage	<b>110</b>		<b>VAC</b>
Dielectric	<b>Aluminum Electrolytic</b>		
Terminal Type	<b>#10-32 Screw-Type Terminals</b>		
Operating Temperature	<b>-25</b> to <b>85</b>		<b>°C.</b>
Dissipation Factor	<b>0.01</b>		<b>max. @ 60 Hz.</b>

# MOTOR Capacitors, Inc.

**Motor Capacitors, Inc.**  
**335 Beinoris Drive**  
**Wood Dale, Illinois 60191**  
**773-774-6666 (Phone) | 773-774-6690 (Fax)**  
[www.capacitorindustries.com](http://www.capacitorindustries.com)  
[info@capacitorindustries.com](mailto:info@capacitorindustries.com)

	<b>Dimension</b>	<b>Tolerance</b>
Diameter (D)	<b>2.062</b>	<b>0.03</b>
Height (L)	<b>4.38</b>	<b>0.03</b>
Screw Terminals		
<i>Dimensions in inches</i>		



Stamping	<b>JKD-Motor Cap</b> <b>CD60S-1AJ460562</b> <b>460-562 uF. 110 VAC</b> <b>-25 - +85 C. 50/60 Hz.</b> <b>Motor Starting Capacitor</b> <b>QubicaAMF 743-000-020</b> <b>RU Date Code RoHs</b>
	

**Screw-Type Terminals**

Engineer                     **JD Aldana**                      
Date                     **December 1, 2016**