

Part Number	<b>CD60M-2EJ88108R</b>		Revision
Customer P/N			Revision
Capacitance	<b>88</b>	to	<b>108</b> uF.
Voltage	<b>250</b>		VAC
Dielectric	<b>Aluminum Electrolytic Motor Start</b>		
Terminal Type	<b>Dual .250" X .03" Quick Connect Terminals</b>		
Operating Temperature	<b>-40</b>	to	<b>65</b> °C.
Dissipation Factor	<b>0.1</b>		max. @ 60 Hz.

# MOTOR Capacitors, Inc.

**Motor Capacitors, Inc.**

335 Beinoris Drive

Wood Dale, Illinois 60191

773-774-6666 (Phone) | 773-774-6690 (Fax)

[www.capacitorindustries.com](http://www.capacitorindustries.com)

[info@capacitorindustries.com](mailto:info@capacitorindustries.com)

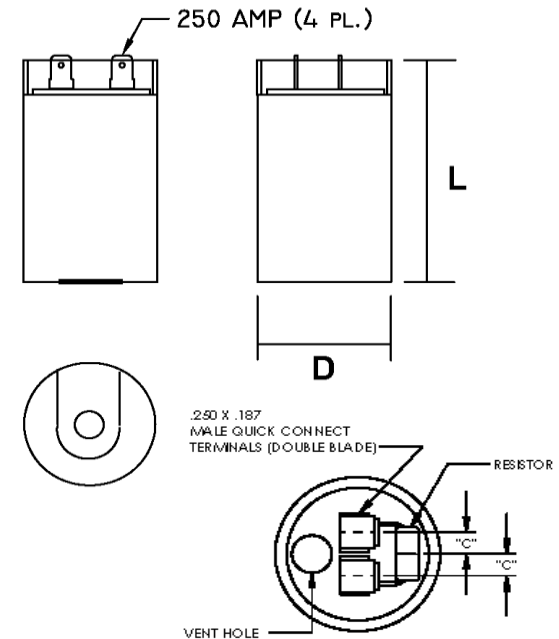
	Dimension	Tolerance
Diameter (D)	1.81	0.03
Terminal Spacing (C)	0.32	ref.
Height (L)	4.37	0.06
Quick-Connect Terminal	double	F

*Dimensions in inches*

Stamping

**Motor Capacitors  
CD60M-2EJ88108R  
88-108 uF. 250 VAC**

**NOTE: 15K Ohm Discharge Resistor Attached**



Approval: J.D. Aldana

Date: April 14, 2000