

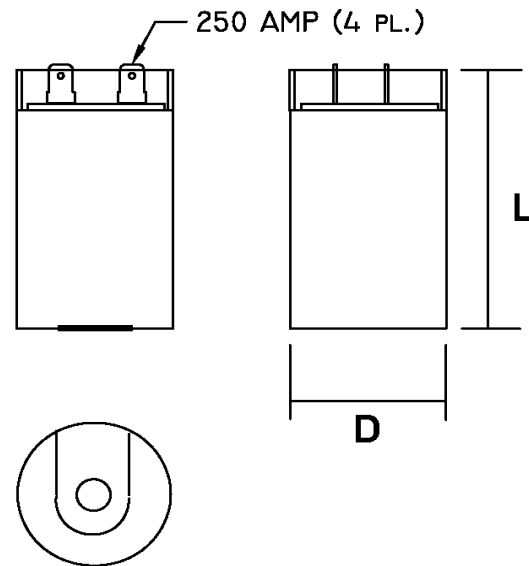
Part Number	<b>CD60M-2EJ3643R</b>		Revision
Customer P/N			Revision
Capacitance	<b>36</b>	to	<b>43</b> uF.
Voltage	<b>250</b>		VAC
Dielectric	<b>Aluminum Electrolytic Motor Start</b>		
Terminal Type	<b>Dual .250" X .03" Quick Connect Terminals</b>		
Operating Temperature	<b>-40</b>	to	<b>65</b> °C.
Dissipation Factor	<b>0.1</b>		max. @ 60 Hz.

# MOTOR Capacitors, Inc.

Motor Capacitors, Inc.  
 335 Beinoris Drive  
 Wood Dale, Illinois 60191  
 773-774-6666 (Phone) | 773-774-6690 (Fax)  
[www.capacitorindustries.com](http://www.capacitorindustries.com)  
[info@capacitorindustries.com](mailto:info@capacitorindustries.com)

	Dimension	Tolerance
Diameter (D)	<b>1.44</b>	<b>0.03</b>
Height (L)	<b>3.37</b>	<b>0.06</b>
Quick-Connect Terminal	<b>double</b>	<b>F</b>

*Dimensions in inches*



Stamping

**Motor Capacitors  
 CD60M-2EJ3643R  
 36-43 uF. 250 VAC**

**NOTE: 15K Ohm Discharge Resistor Attached**

Approval: J.D. Aldana  
 Date: April 14, 2000