

Part Number	CD60M-2EJ108130R		Revision
Customer P/N	1509-1172		Revision
Capacitance	108	to 130	uF.
Voltage	250		VAC
Dielectric	Aluminum Electrolytic Motor Start		
Terminal Type	Dual .250" X .03" Quick Connect Terminals		
Operating Temperature	-40	to 65	°C.
Dissipation Factor	0.1	max. @ 60 Hz.	

MOTOR Capacitors, Inc.

Motor Capacitors, Inc.
335 Beinoris Drive
Wood Dale, Illinois 60191
773-774-6666 (Phone) | 773-774-6690 (Fax)
www.capacitorindustries.com
info@capacitorindustries.com

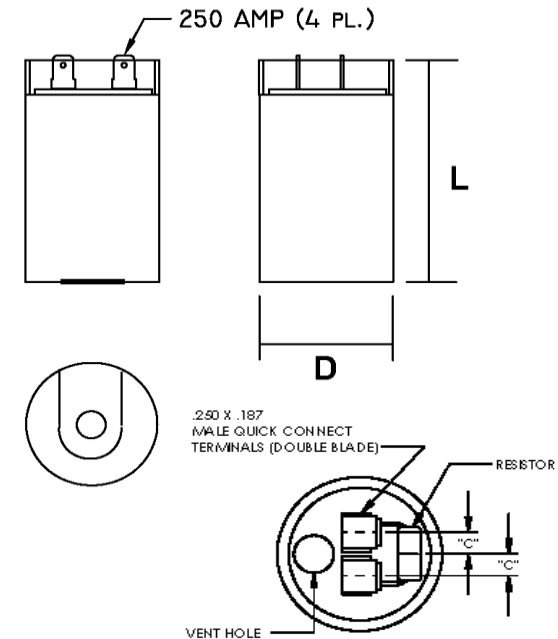
	Dimension	Tolerance
Diameter (D)	1.81	0.03
Terminal Spacing (C)	0.32	ref.
Height (L)	4.37	0.06
Quick-Connect Terminal	double	F

Dimensions in inches

Stamping

Motor Capacitors
CD60M-2EJ108130R
108-130 uF. 250 VAC

NOTE: 15K Ohm Discharge Resistor Attached



Approval: J.D. Aldana
Date: April 17, 2001