

Part Number	CD60B-3CJ88108R-T1M1	Revision	C
Customer P/N	HC151445	Revision	C
Capacitance	88 to 108		uF.
Voltage	330		VAC
Dielectric	Aluminum Electrolytic Motor Start		
Terminal Type	Dual .250" X .03" Quick Connect Terminals		
Operating Temperature	-25 to 65		°C.
Dissipation Factor	0.1		max. @ 60 Hz.


MOTOR Capacitors, Inc.

Motor Capacitors, Inc.
335 Beinoris Drive
Wood Dale, Illinois 60191
773-774-6666 (Phone) | 773-774-6690 (Fax)
www.capacitorindustries.com
info@capacitorindustries.com

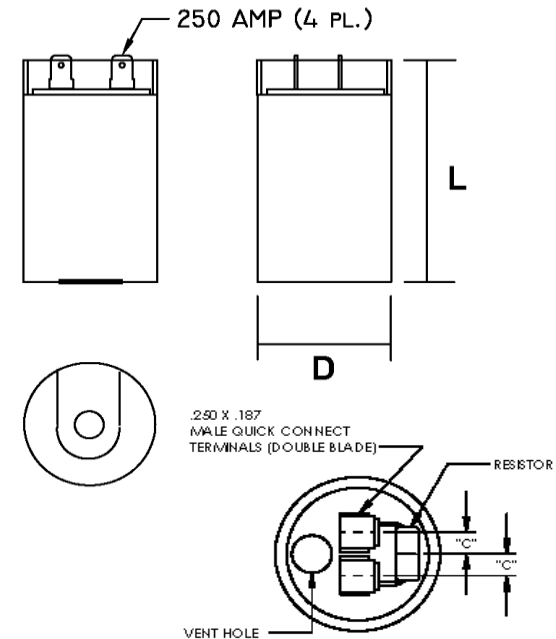
	Dimension	Tolerance
Diameter (D)	2.06	0.06
Terminal Spacing (C)	0.43	ref.
Height (L)	4.38	0.06
Quick-Connect Terminal	double	F

Dimensions in inches

Stamping

Motor Capacitors
CD60B-3CJ88108R-T1M1
88-108 uF. 330 VAC
HC151445 Motor Starting Capacitor
-25 ~ +65 C. 50/60 Hz
RU (datecode) RoHS CE TUV 
Type I - Heavy Duty 15K Ohm, 2 Watt Discharge Resistor

Type I - Heavy Duty 15K Ohm, 2 Watt Discharge Resistor Attached



Approval: J.D. Aldana
Date: April 18, 2016