

Part Number	CD60B-3CJ88108R-T1	Revision
Customer P/N	47A6001 / 7076956	Revision
Capacitance	88 to 108	uF.
Voltage	330	VAC
Dielectric	Aluminum Electrolytic Motor Start	
Terminal Type	Dual .250" X .03" Quick Connect Terminals	
Operating Temperature	-25 to 65	°C.
Dissipation Factor	0.1	max. @ 60 Hz.

MOTOR Capacitors, Inc.

Motor Capacitors, Inc.
 335 Beinoris Drive
 Wood Dale, Illinois 60191
 773-774-6666 (Phone) | 773-774-6690 (Fax)
www.capacitorindustries.com
info@capacitorindustries.com


	Dimension	Tolerance
Diameter (D)	2.06	0.06
Terminal Spacing (C)	0.43	ref.
Height (L)	4.38	0.06
Quick-Connect Terminal	double	F

Dimensions in inches

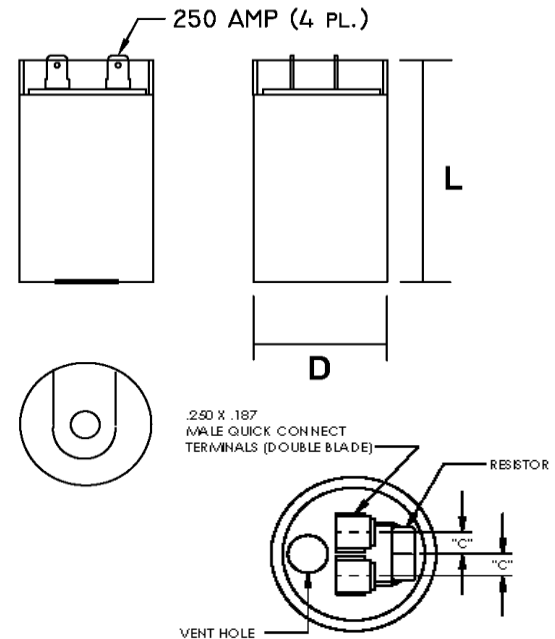
Stamping

Motor Capacitors
CD60B-3CJ88108R-T1
88-108 uF. 330 VAC
Motor Starting Capacitor
-25 ~ +65 C. 50/60 Hz
RU (datecode) RoHS

pe2I - Heavy Duty Note: 15K Ohm Discharge Resistor Attach



Type 2 Standard Duty



Approval: J.D. Aldana
 Date: **February 23, 2009**