

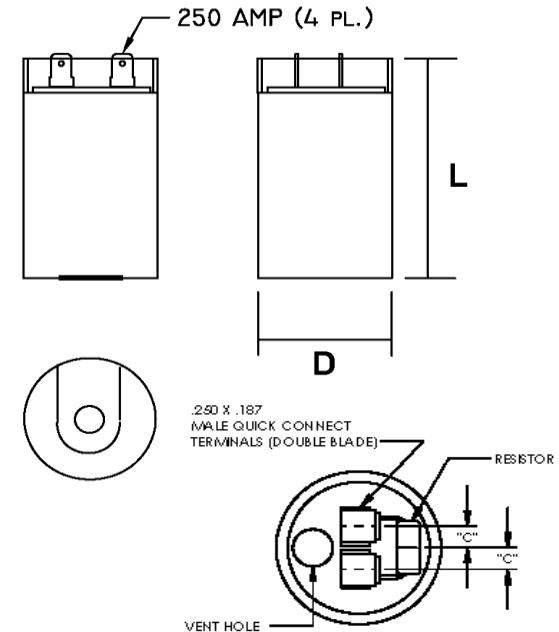
Part Number	CD60B-3CJ88106R-T1M1	Revision
Customer P/N	195-110-0006	Revision
Capacitance	88 to 106	uF.
Voltage	330	VAC
Dielectric	Aluminum Electrolytic	
Terminal Type	Dual .250" X .03" Quick Connect Terminals	
Operating Temperature	-25 to 65	°C.
Dissipation Factor	0.1	max. @ 60 Hz.

MOTOR Capacitors, Inc.

Motor Capacitors, Inc.
335 Beinoris Drive
Wood Dale, Illinois 60191
773-774-6666 (Phone) | 773-774-6690 (Fax)
www.capacitorindustries.com
info@capacitorindustries.com


	Dimension	Tolerance
Diameter (D)	1.81	0.03
Terminal Spacing (C)		
Height (L)	3.38	0.06
Quick-Connect Terminal	double	F

Dimensions in inches



Stamping

JKD - Motor Capacitors
CD60B-3CJ88106R-T1M1
88-106 uF. 330 VAC
195-110-0006 Motor Starting Capacitor
-25 ~ +65 C.

RU (datecode) **RoHS CE TUV**  **US**

Type I - Heavy Duty 15K Ohm, 2 Watt Discharge Resistor

Type I - Heavy Duty 15K Ohm, 2 Watt Discharge Resistor Attached

Approval: *J. D. Aldana*
Date: July 23, 2018