

Part Number	CD60B-3CJ7288R-T1M1	Revision	B
Customer P/N	9181003-45	Revision	B
Capacitance	72 to 88	uF.	
Voltage	330	VAC	
Dielectric	Aluminum Electrolytic Motor Start		
Terminal Type	Dual .250" X .03" Quick Connect Terminals		
Operating Temperature	-25 to 65	°C.	
Dissipation Factor	0.1	max. @ 60 Hz.	

MOTOR Capacitors, Inc.


Motor Capacitors, Inc.
335 Beinoris Drive
Wood Dale, Illinois 60191
773-774-6666 (Phone) | 773-774-6690 (Fax)
www.capacitorindustries.com
info@capacitorindustries.com

	Dimension	Tolerance
Diameter (D)	1.81	0.03
Terminal Spacing (C)	0.32	0.02
Height (L)	4.38	0.06
Quick-Connect Terminal	double	F

Dimensions in inches

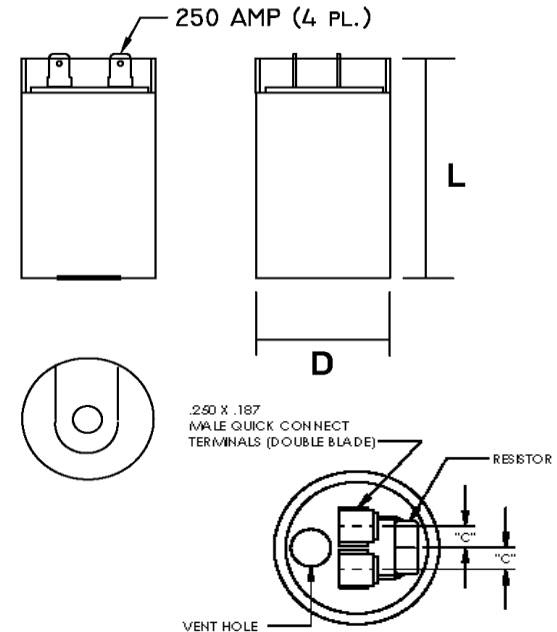
Stamping

JKD - Motor Capacitors
CD60B-3CJ7288R-T1M1
72-88 uF. 330 VAC
#9181003-45 Motor Starting Capacitor
-25 ~ +65 C.

RU (datecode) **RoHS CE TUV** 

Type 1 - Heavy Duty 18K Ohm Discharge Resistor

Type 1-Heavy Duty 18 K Ohm, 2 Watt Resistor Attached



Approval: *J. D. Aldana*
 Date: June 6, 2013