

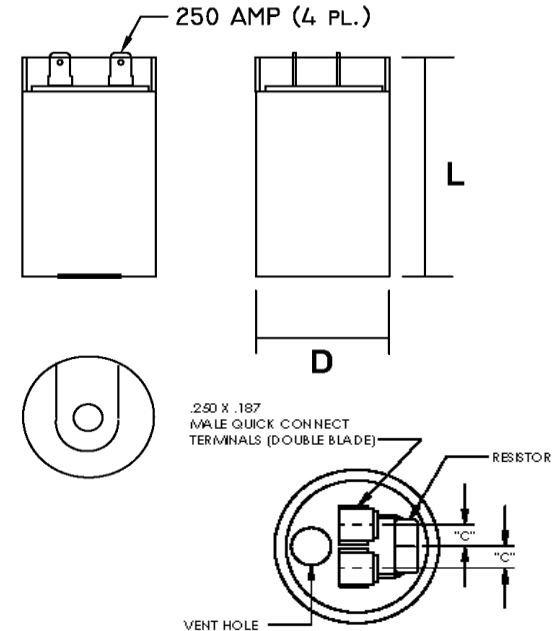
Part Number	<b>CD60B-3CJ270324R-T1</b>		Revision
Customer P/N	<b>18-1901-58</b>		Revision
Capacitance	<b>270</b>	to	<b>324</b> uF.
Voltage	<b>330</b>		VAC
Dielectric	<b>Aluminum Electrolytic</b>		
Terminal Type	<b>Dual .250" X .03" Quick Connect Terminals</b>		
Operating Temperature	<b>-25</b>	to	<b>65</b> °C.
Dissipation Factor	<b>0.1</b>		max. @ 60 Hz.

# MOTOR Capacitors, Inc.


**Motor Capacitors, Inc.**  
**335 Beinoris Drive**  
**Wood Dale, Illinois 60191**  
**773-774-6666 (Phone) | 773-774-6690 (Fax)**  
[www.capacitorindustries.com](http://www.capacitorindustries.com)  
[info@capacitorindustries.com](mailto:info@capacitorindustries.com)

	Dimension	Tolerance
Diameter (D)	<b>2.562</b>	<b>0.01</b>
Terminal Spacing (C)		
Height (L)	<b>4.38</b>	<b>0.02</b>
Quick-Connect Terminal	<b>double</b>	<b>F</b>

*Dimensions in inches*



Stamping

**JKD - Motor Capacitors**  
**CD60B-3CJ270324R-T1**  
**270-324 uF. 330 VAC**  
**#18-1901-58 Motor Starting Capacitor**  
**-25 ~ +65 C.**  
**RU (datecode) RoHS CE TUV C  US**  
**Type 2 - Duty Note: 15K Ohm Discharge Resistor Attached**

**Type 2 - Standard Duty**  
**Capacitor must be Bar Code Labeled with Customer's P/N**

Approval: *J.D. Aldana*  
Date: March 5, 2013