

Part Number	CD60B-3CJ270324R-T1M2	Revision
Customer P/N	275468119	Revision
Capacitance	270 to 324	uF.
Voltage	330	VAC
Dielectric	Aluminum Electrolytic Motor Start	
Terminal Type	Dual .250" X .03" Quick Connect Terminals	
Operating Temperature	-25 to 65	°C.
Dissipation Factor	0.1	max. @ 60 Hz.

MOTOR Capacitors, Inc.

Motor Capacitors, Inc.

335 Beinoris Drive

Wood Dale, Illinois 60191

773-774-6666 (Phone) | 773-774-6690 (Fax)

www.capacitorindustries.com

info@capacitorindustries.com

	Dimension	Tolerance
Diameter (D)	2.562	0.01
Terminal Spacing (C)	0.43	ref.
Height (L)	4.38	0.02
Quick-Connect Terminal	double	F

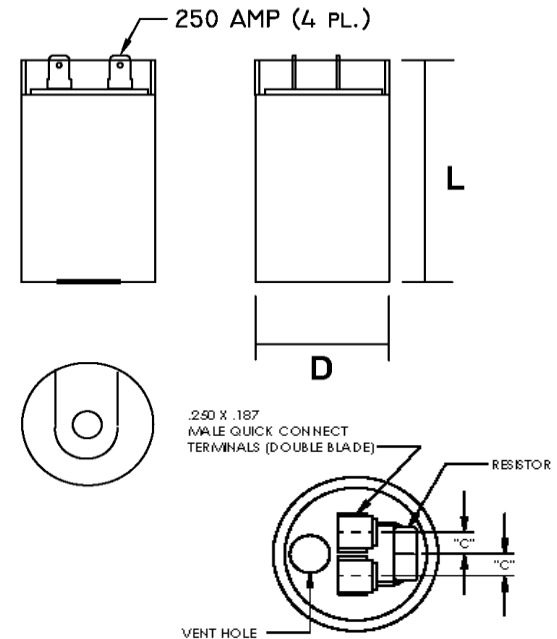
Dimensions in inches

Stamping

Motor Capacitors
CD60B-3CJ270324R-T1M2
270-324 uF. 330 VAC
FE:275468119 Motor Start
-25 ~ +65 C.
RU (datecode) RoHS

RU US

Type I - Heavy Duty Note: 15K Ohm Discharge Resistor Attached



Test Limits 33.6 - 40.3 @ 330 volts. Max 1330 watts.

3-Foil Design / Construction Type 1 Heavy duty

Approval: J.D. Aldana

Date: **September 13, 2007**