

Part Number	CD60B-3CJ270324R	Revision
Customer P/N	21J2901 / 22509960	Revision
Capacitance	270 to 324	uF.
Voltage	330	VAC
Dielectric	Aluminum Electrolytic Motor Start	
Terminal Type	Dual .250" X .03" Quick Connect Terminals	
Operating Temperature	-25 to 65	°C.
Dissipation Factor	0.1	max. @ 60 Hz.

MOTOR Capacitors, Inc.


Motor Capacitors, Inc.
 335 Beinoris Drive
 Wood Dale, Illinois 60191
 773-774-6666 (Phone) | 773-774-6690 (Fax)
www.capacitorindustries.com
info@capacitorindustries.com

	Dimension	Tolerance
Diameter (D)	2.56	0.03
Terminal Spacing (C)	0.43	ref.
Height (L)	4.37	0.06
Quick-Connect Terminal	double	F

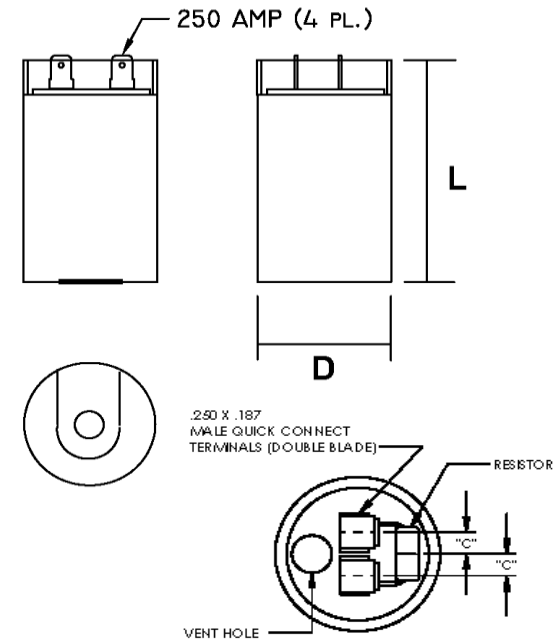
Dimensions in inches

Stamping

Motor Capacitors
CD60B-3CJ270324R
270-324 uF. 330 VAC
Motor Starting Capacitor
-25 ~ +65 C.

RU (datecode) **RoHS** 

NOTE: 15K Ohm Discharge Resistor Attached



Type 2 - Standard Duty

Approval: J.D. Aldana
 Date: April 10, 2003