

Part Number	CD60B-3CJ216259R-M1	Revision
Customer P/N	100368-01	Revision
Capacitance	216 to 259	uF.
Voltage	330	VAC
Dielectric	Aluminum Electrolytic Motor Start	
Terminal Type	Dual .250" X .03" Quick Connect Terminals	
Operating Temperature	-25 to 65	°C.
Dissipation Factor	0.1	max. @ 60 Hz.

MOTOR Capacitors, Inc.


Motor Capacitors, Inc.
 335 Beinoris Drive
 Wood Dale, Illinois 60191
 773-774-6666 (Phone) | 773-774-6690 (Fax)
www.capacitorindustries.com
info@capacitorindustries.com

	Dimension	Tolerance
Diameter (D)	2.062	0.03
Terminal Spacing (C)	0.43	ref.
Height (L)	4.38	0.06
Quick-Connect Terminal	double	F

Dimensions in inches

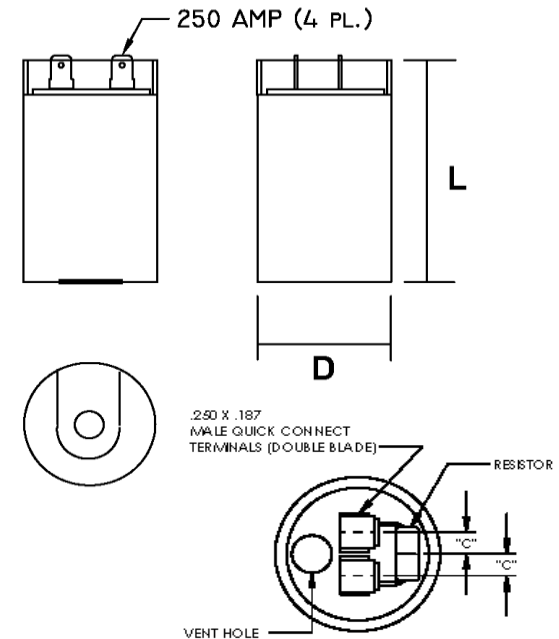
Stamping

Motor Capacitors
CD60B-3CJ216259R-M1
216-259 uF. 330 VAC
Motor Starting Capacitor
-25 ~ +65 C.

RU (datecode) RoHS 

NOTE: 15K Ohm Discharge Resistor Attached

Type 2 - Standard Duty



Approval: J.D. Aldana
 Date: **October 23, 2008**