

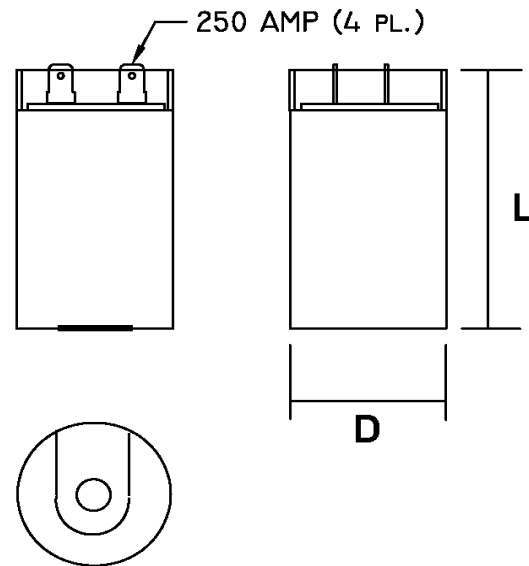
Part Number	<b>CD60B-3CJ1822</b>	Revision	<b>P</b>
Customer P/N	<b>K04206-0002</b>	Revision	<b>P</b>
Capacitance	<b>18</b> to <b>22</b>		<b>uF.</b>
Voltage	<b>330</b>		<b>VAC</b>
Dielectric	<b>Aluminum Electrolytic Motor Start</b>		
Terminal Type	<b>Dual .250" X .03" Quick Connect Terminals</b>		
Operating Temperature	<b>-25</b> to <b>65</b>		<b>°C.</b>
Dissipation Factor	<b>0.1</b>		<b>max. @ 60 Hz.</b>


# MOTOR Capacitors, Inc.

**Motor Capacitors, Inc.**  
 335 Beinoris Drive  
 Wood Dale, Illinois 60191  
 773-774-6666 (Phone) | 773-774-6690 (Fax)  
[www.capacitorindustries.com](http://www.capacitorindustries.com)  
[info@capacitorindustries.com](mailto:info@capacitorindustries.com)

	Dimension	Tolerance
Diameter (D)	<b>1.81</b>	<b>0.03</b>
Height (L)	<b>3.38</b>	<b>0.06</b>
Quick-Connect Terminal	<b>double</b>	<b>F</b>

*Dimensions in inches*



Stamping	<b>JKD-Motor Cap</b>	
	<b>CD60B-3CJ1822</b>	
	<b>18-22 uF. 330 VAC</b>	
	<b>K04206-0002</b>	
	<b>-25 ~ +65 C.</b>	
<b>RU</b>	<b>(datecode) RoHS</b>	

**Dual AMP.250 Quick-Connects**

Approval: J.D. Aldana  
 Date **March 24, 2003**