

Part Number	CD60B-3CJ161193R-T1 (XL)		Revision	A
Customer P/N			Revision	A
Capacitance	161	to	193	uF.
Voltage	330		VAC	
Dielectric	Aluminum Electrolytic Motor Start			
Terminal Type	Dual .250" X .03" Quick Connect Terminals			
Operating Temperature	-25	to	65	°C.
Dissipation Factor	0.1	max. @ 60 Hz.		

# MOTOR Capacitors, Inc.

Motor Capacitors, Inc.  
 335 Beinoris Drive  
 Wood Dale, Illinois 60191  
 773-774-6666 (Phone) | 773-774-6690 (Fax)  
[www.capacitorindustries.com](http://www.capacitorindustries.com)  
[info@capacitorindustries.com](mailto:info@capacitorindustries.com)


	Dimension	Tolerance
Diameter (D)	2.56	0.03
Terminal Spacing (C)	0.43	ref.
Height (L)	4.38	0.06
Quick-Connect Terminal	double	F

*Dimensions in inches*

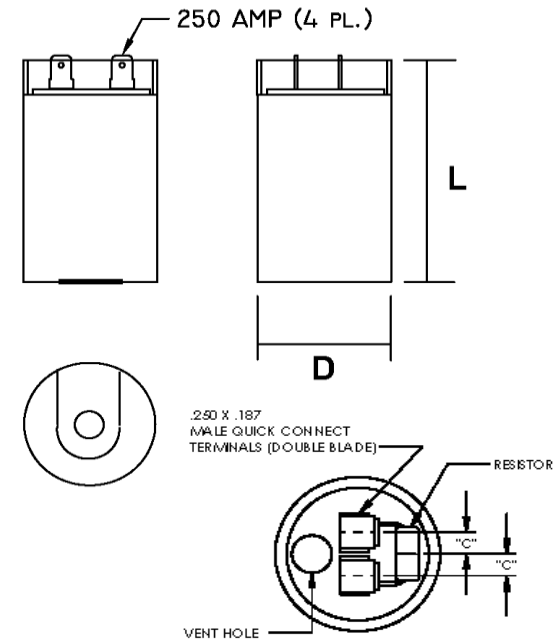
Stamping

**Motor Capacitors**  
**CD60B-3CJ161193R-T1 (XL)**  
**161-193 uF. 330 VAC**  
**Motor Starting Capacitor**  
**-25 ~ +65 C. 50/60 Hz**  
**RU cRU (datecode) RoHS CE**

**NOTE: 15K Ohm, 2 Watt Discharge Resistor Attached**



**Type 2 - Standard Duty - 15K Ohm, 2 Watt Discharge Resistor Attached**



Approval: J.D. Aldana  
 Date: April 18, 2016