

Part Number	CD60B-3CJ161193R-T1		Revision	A
Customer P/N			Revision	A
Capacitance	161	to	193	uF.
Voltage	330		VAC	
Dielectric	Aluminum Electrolytic Motor Start			
Terminal Type	Dual .250" X .03" Quick Connect Terminals			
Operating Temperature	-25	to	65	°C.
Dissipation Factor	0.1	max. @ 60 Hz.		

MOTOR Capacitors, Inc.

Motor Capacitors, Inc.

335 Beinoris Drive

Wood Dale, Illinois 60191

773-774-6666 (Phone) | 773-774-6690 (Fax)

www.capacitorindustries.com


info@capacitorindustries.com

	Dimension	Tolerance
Diameter (D)	2.06	0.03
Terminal Spacing (C)	0.43	ref.
Height (L)	4.38	0.06
Quick-Connect Terminal	double	F

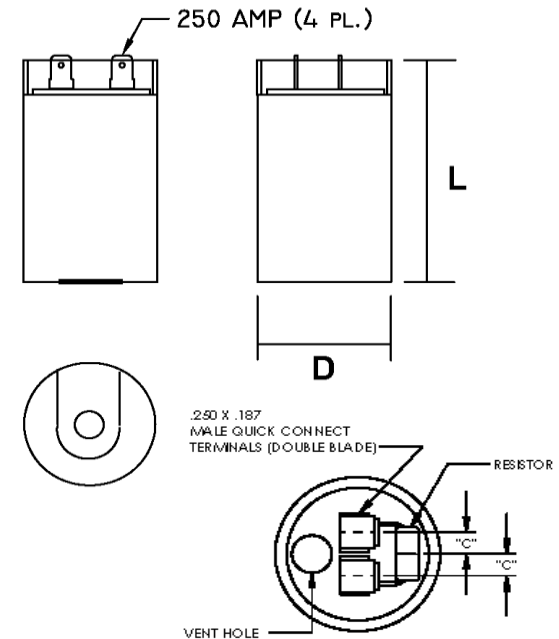
Dimensions in inches

Stamping

Motor Capacitors
CD60B-3CJ161193R-T1
161-193 uF. 330 VAC
Motor Starting Capacitor
-25 ~ +65 C. 50/60 Hz

RU cRU (datecode) RoHS CE VDE 

NOTE: 15K Ohm, 2 Watt Discharge Resistor Attached



Type 2 - Standard Duty - 15K Ohm, 2 Watt Discharge Resistor Attached

Approval: J.D. Aldana
Date: April 18, 2016