

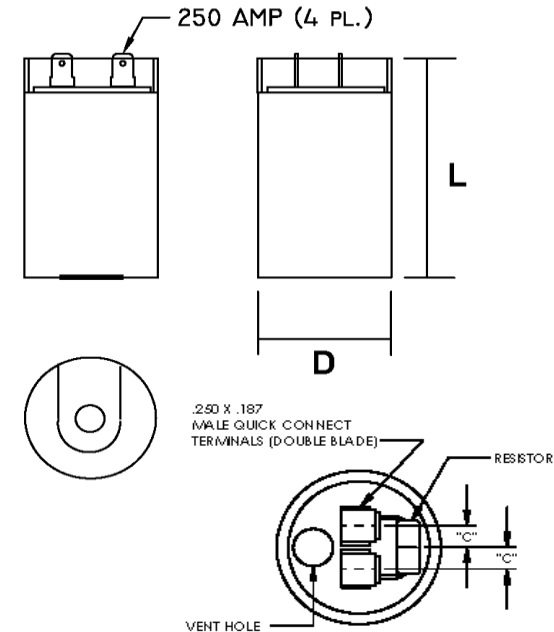
Part Number	CD60B-3CJ145175R-T1		Revision
Customer P/N	HC150398		Revision
Capacitance	145	to	174 uF.
Voltage	330		VAC
Dielectric	Aluminum Electrolytic		
Terminal Type	Dual .250" X .03" Quick Connect Terminals		
Operating Temperature	-25	to	65 °C.
Dissipation Factor	0.1	max. @ 60 Hz.	

MOTOR Capacitors, Inc.


Motor Capacitors, Inc.
 335 Beinoris Drive
 Wood Dale, Illinois 60191
 773-774-6666 (Phone) | 773-774-6690 (Fax)
www.capacitorindustries.com
info@capacitorindustries.com

	Dimension	Tolerance
Diameter (D)	2.06	0.03
Terminal Spacing (C)		
Height (L)	4.37	0.03
Quick-Connect Terminal	double	F

Dimensions in inches



Stamping

JKD - Motor Capacitors
CD60B-3CJ145175R-T1
145-175 uF. 330 VAC
HC150398 Motor Starting Capacitor
-25 ~ +65 C.
 RU cRU (datecode) RoHS CE TUV 

NOTE: 15K Ohm, 2 Watt Discharge Resistor Attached

Type 2- Standard Duty 15 K Ohm 2 Watt Resistor Attached

Approval: J.D. Aldana
 Date: December 13, 2023