

Part Number	<b>CD60B-3CJ124156R</b>	Revision
Customer P/N	<b>15N2701 / 7076957</b>	Revision
Capacitance	<b>124 to 156</b>	uF.
Voltage	<b>330</b>	VAC
Dielectric	<b>Aluminum Electrolytic Motor Start</b>	
Terminal Type	<b>Dual .250" X .03" Quick Connect Terminals</b>	
Operating Temperature	<b>-25 to 65</b>	°C.
Dissipation Factor	<b>0.1</b>	max. @ 60 Hz.

# MOTOR Capacitors, Inc.

**Motor Capacitors, Inc.**

**335 Beinoris Drive**

**Wood Dale, Illinois 60191**

**773-774-6666 (Phone) | 773-774-6690 (Fax)**

[www.capacitorindustries.com](http://www.capacitorindustries.com)


[info@capacitorindustries.com](mailto:info@capacitorindustries.com)

	<b>Dimension</b>	<b>Tolerance</b>
Diameter (D)	<b>2.06</b>	<b>0.03</b>
Terminal Spacing (C)	<b>0.43</b>	<b>ref.</b>
Height (L)	<b>4.38</b>	<b>0.06</b>
Quick-Connect Terminal	<b>double</b>	<b>F</b>

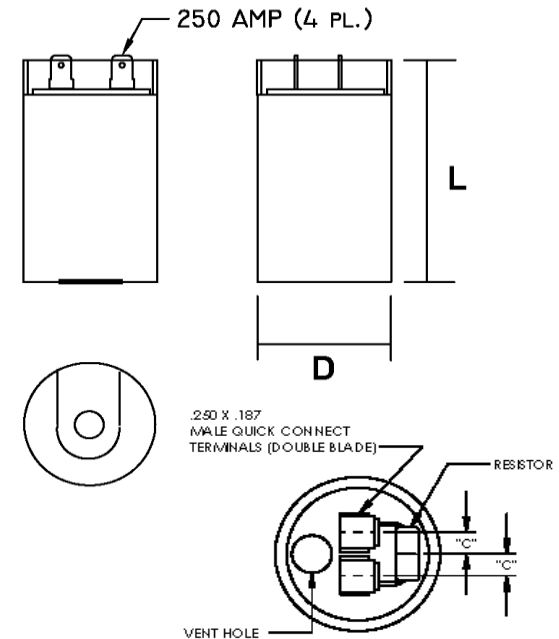
*Dimensions in inches*

Stamping

**Motor Capacitors**  
**CD60B-3CJ124156R**  
**124-156 uF. 330 VAC**  
**Motor Starting Capacitor**  
**-25 ~ +65 C.**

**RU** (datecode) **RoHS** 

**NOTE: 15K Ohm Discharge Resistor Attached**



**Type 2 -Standard Duty**

Approval: *J.D. Aldana*  
Date: **April 10, 2003**