

Part Number	CD60B-3CJ108130-T1M1	Revision	B
Customer P/N	9181003-52	Revision	B
Capacitance	108 to 130		uF.
Voltage	330		VAC
Dielectric	Aluminum Electrolytic Motor Start		
Terminal Type	Dual .250" X .03" Quick Connect Terminals		
Operating Temperature	-25 to 65		°C.
Dissipation Factor	0.1		max. @ 60 Hz.

MOTOR Capacitors, Inc.

Motor Capacitors, Inc.

335 Beinoris Drive

Wood Dale, Illinois 60191

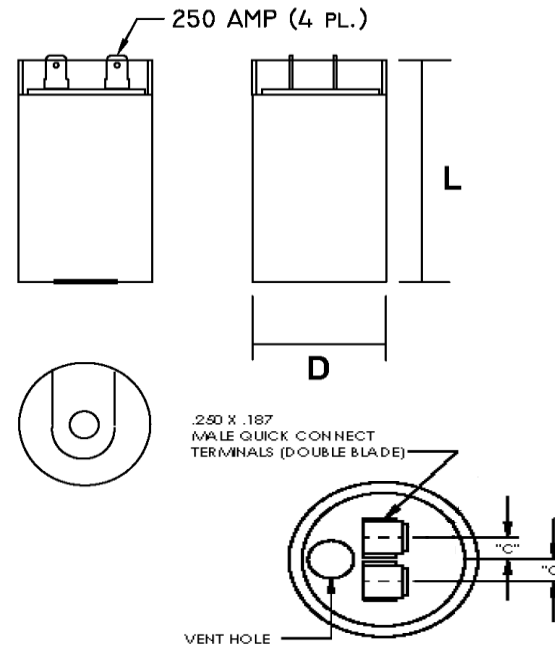
773-774-6666 (Phone) | 773-774-6690 (Fax)

www.capacitorindustries.com

info@capacitorindustries.com


	Dimension	Tolerance
Diameter (D)	2.06	0.03
Terminal Spacing (C)	0.43	0.02
Height (L)	4.38	0.06
Quick-Connect Terminal	double	F

Dimensions in inches



Stamping

JKD - Motor Capacitors
CD60B-3CJ108130-T1M1
108-130 uF. 330 VAC
#9181003-52 Motor Starting Capacitor
-25 ~ +65 C.

RU (datecode) **RoHS CE TUV**  **US**
Type 1 - Heavy Duty

Type 1 - Heavy Duty

Approval: J.D. Aldana

Date: **June 6, 2013**