

Part Number	CD60B-2EJ7288R-T1M1	Revision	B
Customer P/N	9181003-40	Revision	B
Capacitance	72 to 88		uF.
Voltage	250		VAC
Dielectric	Aluminum Electrolytic Motor Start		
Terminal Type	Dual .250" X .03" Quick Connect Terminals		
Operating Temperature	-25 to 65		°C.
Dissipation Factor	0.1		max. @ 60 Hz.

MOTOR Capacitors, Inc.


Motor Capacitors, Inc.
335 Beinoris Drive
Wood Dale, Illinois 60191
773-774-6666 (Phone) | 773-774-6690 (Fax)
www.capacitorindustries.com
info@capacitorindustries.com

	Dimension	Tolerance
Diameter (D)	1.81	0.03
Terminal Spacing (C)	0.32	0.02
Height (L)	3.37	0.06
Quick-Connect Terminal	double	F

Dimensions in inches

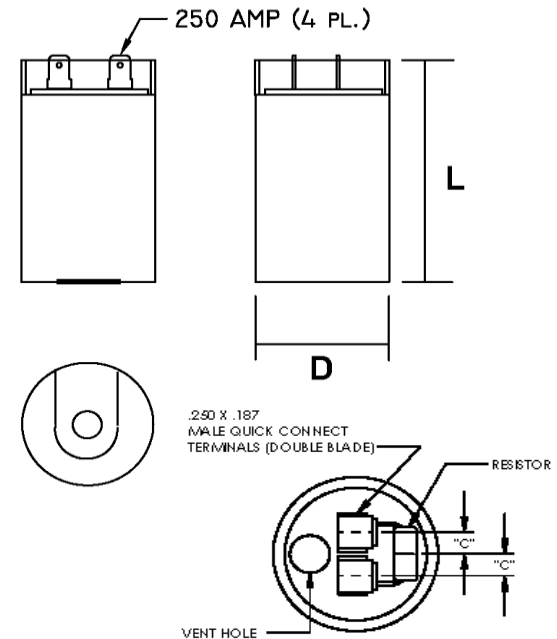
Stamping

JKD - Motor Capacitors
CD60B-2EJ7288R-T1M1
72-88 uF. 250 VAC
#9181003-40 Motor Starting Capacitor
-25 ~ +65 C.

RU (datecode) **RoHS CE TUV**  **US**

Type 1 - Heavy Duty 18K Ohm Discharge Resistor

Type 1 - Heavy Duty 18 K Ohm, 2 watt resistor attached



Approval: J.D. Aldana
Date: June 6, 2013