

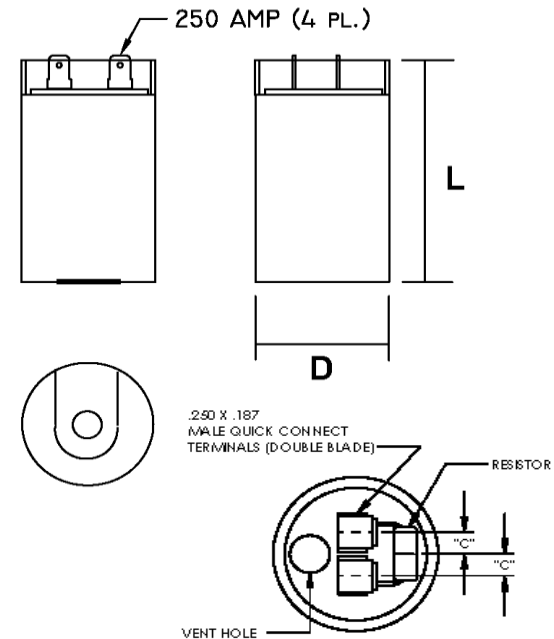
Part Number	CD60B-2EJ4756R-T1M1			Revision	A
Customer P/N				Revision	A
Capacitance	47	to	56	uF.	
Voltage	250		VAC		
Dielectric	Aluminum Electrolytic Motor Start				
Terminal Type	Dual .250" X .03" Quick Connect Terminals				
Operating Temperature	-40	to	65	°C.	
Dissipation Factor	0.1			max. @ 60 Hz.	

MOTOR Capacitors, Inc.

Motor Capacitors, Inc.
 335 Beinoris Drive
 Wood Dale, Illinois 60191
 773-774-6666 (Phone) | 773-774-6690 (Fax)
www.capacitorindustries.com
info@capacitorindustries.com


	Dimension	Tolerance
Diameter (D)	1.81	0.03
Terminal Spacing (C)	0.32	ref.
Height (L)	3.38	0.06
Quick-Connect Terminal	double	F

Dimensions in inches



Stamping

Motor Capacitors
CD60B-2EJ4756R-T1M1
47-56 uF. 250 VAC
Motor Starting Capacitor

RU  **US**

-40 ~ +65 C.
 RU (datecode) RoHS

EIA-463-A Rating
 Type 1, Heavy Duty
 15 K Ohm, 2 watt resistor attached

Approval: J.D. Aldana
 Date: **September 29, 2015**