

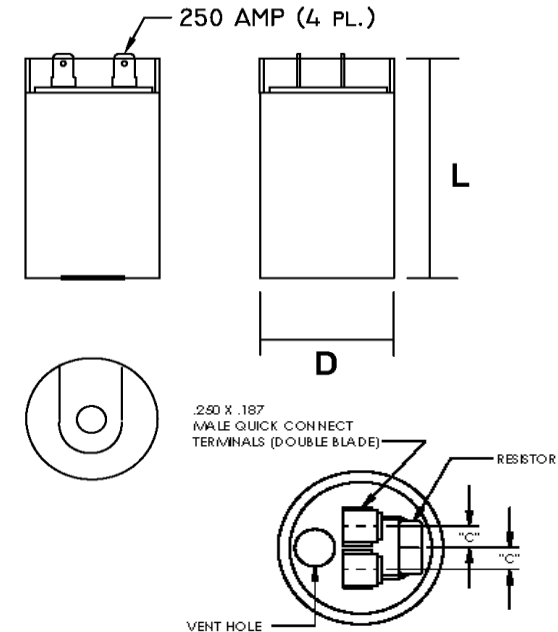
Part Number	CD60B-2EJ340408R-T1M1	Revision	A
Customer P/N	18-1901-69	Revision	A
Capacitance	340 to 408	uF.	
Voltage	250	VAC	
Dielectric	Aluminum Electrolytic		
Terminal Type	Dual .250" X .03" Quick Connect Terminals		
Operating Temperature	-40 to 65	°C.	
Dissipation Factor	0.1	max. @ 60 Hz.	

MOTOR Capacitors, Inc.

Motor Capacitors, Inc.
335 Beinoris Drive
Wood Dale, Illinois 60191
773-774-6666 (Phone) | 773-774-6690 (Fax)
www.capacitorindustries.com
info@capacitorindustries.com


	Dimension	Tolerance
Diameter (D)	2.56	0.03
Terminal Spacing (C)	0.43	ref.
Height (L)	4.37	0.06
Quick-Connect Terminal	double	F

Dimensions in inches



Stamping

Motor Capacitors
CD60B-2EJ340408R-T1M1
340-408 uF. 250 VAC
Motor Starting Capacitor
-40 ~ +65 C.

RU (datecode) RoHS CE 

NOTE: 18K Ohm Discharge Resistor Attached

Type 1 - Heavy Duty - 18K Ohm, 2 watt resistor attached
Capacitor must be labeled with customer's P/N Bar Code

Approval: *J. D. Aldana*
Date: July 19, 2017