

Part Number	CD60B-2EJ189227R-T1		Revision
Customer P/N	18-1901-68		Revision
Capacitance	189	to 227	uF.
Voltage	250		VAC
Dielectric	Aluminum Electrolytic Motor Start		
Terminal Type	Dual .250" X .03" Quick Connect Terminals		
Operating Temperature	-25	to 65	°C.
Dissipation Factor	0.1	max. @ 60 Hz.	

MOTOR Capacitors, Inc.


Motor Capacitors, Inc.
 335 Beinoris Drive
 Wood Dale, Illinois 60191
 773-774-6666 (Phone) | 773-774-6690 (Fax)
www.capacitorindustries.com
info@capacitorindustries.com

	Dimension	Tolerance
Diameter (D)	2.06	0.03
Terminal Spacing (C)	0.43	ref.
Height (L)	4.37	0.06
Quick-Connect Terminal	double	F

Dimensions in inches

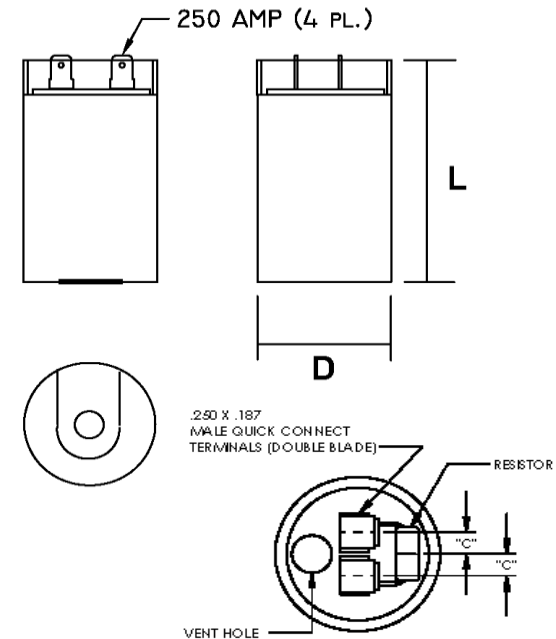
Stamping

Motor Capacitors
CD60B-2EJ189227R-T1
189-227 uF. 250 VAC
#18-1901-68 Motor Starting Capacitor
-25 ~ +65 C.

RU cRU (datecode) RoHS CE TUV 

NOTE: 15K Ohm Discharge Resistor Attached

Type 2- Standard Duty 15 K Ohm 2 Watt Resistor Attached
Capacitor must be Bar Code Labeled with Customer's P/N



Approval: J.D. Aldana
 Date: November 7, 2016