

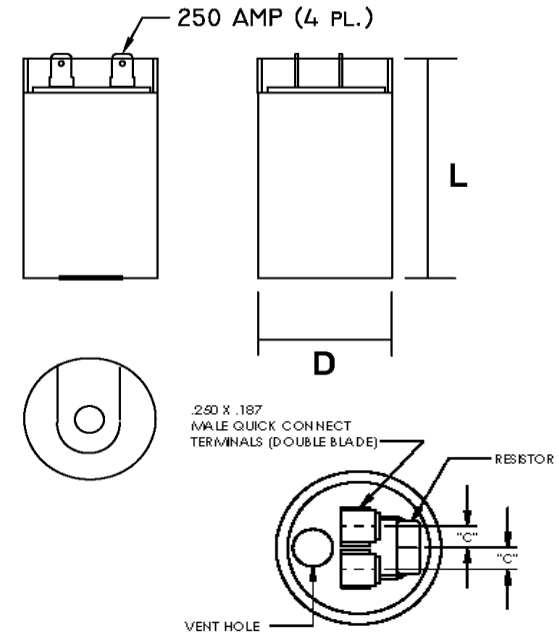
Part Number	<b>CD60B-2BJ88106R-T1</b>		Revision	<b>B</b>
Customer P/N			Revision	<b>B</b>
Capacitance	<b>88</b>	to	<b>106</b>	uF.
Voltage	<b>220</b>		<b>VAC</b>	
Dielectric	<b>Aluminum Electrolytic Motor Start</b>			
Terminal Type	<b>Dual .250" X .03" Quick Connect Terminals</b>			
Operating Temperature	<b>-25</b>	to	<b>65</b>	°C.
Dissipation Factor	<b>0.1</b>		<b>max. @ 60 Hz.</b>	

# MOTOR Capacitors, Inc.

**Motor Capacitors, Inc.**  
**335 Beinoris Drive**  
**Wood Dale, Illinois 60191**  
**773-774-6666 (Phone) | 773-774-6690 (Fax)**  
[www.capacitorindustries.com](http://www.capacitorindustries.com)  
[info@capacitorindustries.com](mailto:info@capacitorindustries.com)


	Dimension	Tolerance
Diameter (D)	<b>2.05</b>	<b>0.03</b>
Terminal Spacing (C)		
Height (L)	<b>4.13</b>	<b>0.03</b>
Quick-Connect Terminal	<b>double</b>	<b>F</b>

*Dimensions in inches*



Stamping

**JKD - Motor Capacitors**  
**CD60B-2BJ88106R-T1**  
**88-106 uF. 220 VAC**  
**Motor Starting Capacitor**  
**-25 ~ +65 C.**

**RU** (datecode) **RoHS CE TUV** 

**Type 1 - Heavy Duty 18K Ohm Discharge Resistor**

**Type1- Heavy Duty 18 K Ohm 2 Watt Resistor Attached**

Approval: *J. D. Aldana*  
Date: **March 27, 2019**