

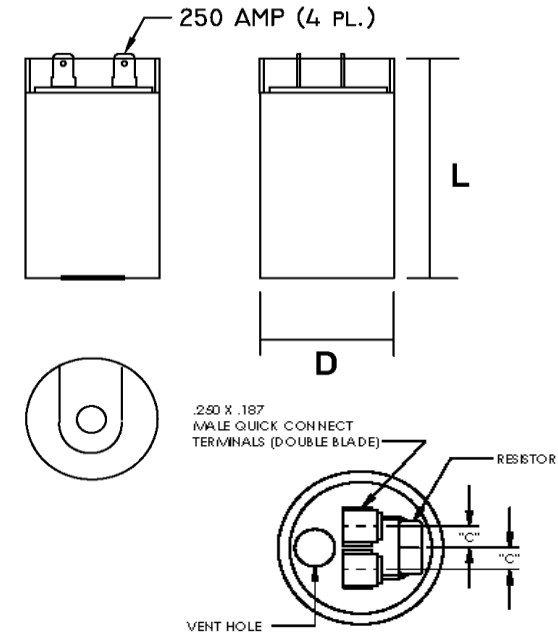
Part Number	CD60B-2BJ88106R-T1M1	Revision	B
Customer P/N	9181003-08	Revision	B
Capacitance	88 to 106	uF.	
Voltage	220	VAC	
Dielectric	Aluminum Electrolytic		
Terminal Type	Dual .250" X .03" Quick Connect Terminals		
Operating Temperature	-25 to 65	°C.	
Dissipation Factor	0.1	max. @ 60 Hz.	

MOTOR Capacitors, Inc.

Motor Capacitors, Inc.
 335 Beinoris Drive
 Wood Dale, Illinois 60191
 773-774-6666 (Phone) | 773-774-6690 (Fax)
www.capacitorindustries.com
info@capacitorindustries.com


	Dimension	Tolerance
Diameter (D)	2.05	0.03
Terminal Spacing (C)	0.43	0.02
Height (L)	4.37	0.03
Quick-Connect Terminal	double	F

Dimensions in inches



Stamping

JKD - Motor Capacitors
CD60B-2BJ88106R-T1M1
88-106 uF. 220 VAC
9181003-08 Motor Starting Capacitor
-25 ~ +65 C.

RU (datecode) **RoHS CE TUV** 

Type 1 - Heavy Duty 18K Ohm Discharge Resistor

Type1- Heavy Duty 18 K Ohm 2 Watt Resistor Attached

Approval: *J. D. Aldana*
 Date: June 6, 2013