

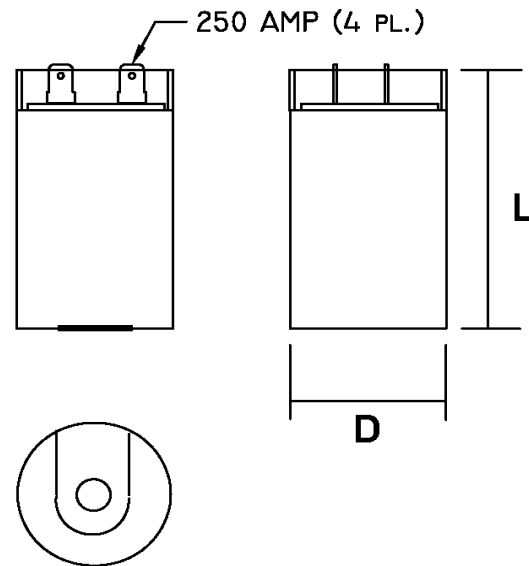
| | | | |
|-----------------------|--|---------------|---------------|
| Part Number | CD60B-2BJ4352-T1M1 | | Revision |
| Customer P/N | 3157403 | | Revision |
| Capacitance | 43 | to | 52 uF. |
| Voltage | 220 | | VAC |
| Dielectric | Aluminum Electrolytic Motor Start | | |
| Terminal Type | Dual .250" X .03" Quick Connect Terminals | | |
| Operating Temperature | -25 | to | 65 °C. |
| Dissipation Factor | 0.1 | max. @ 60 Hz. | |

MOTOR Capacitors, Inc.

Motor Capacitors, Inc.
 335 Beinoris Drive
 Wood Dale, Illinois 60191
 773-774-6666 (Phone) | 773-774-6690 (Fax)
www.capacitorindustries.com
info@capacitorindustries.com


| | Dimension | Tolerance |
|------------------------|---------------|-------------|
| Diameter (D) | 2.062 | 0.03 |
| Height (L) | 3.37 | 0.03 |
| Quick-Connect Terminal | double | F |

Dimensions in inches



Stamping

Motor Capacitors
CD60B-2BJ4352-T1M1
43-52 uF. 220 VAC
Motor Starting Capacitor
-25 ~ +65 C.
RU (datecode) RoHS
Type I - Heavy Duty



3-Foil Design / Construction

Approval: J.D. Aldana
 Date: **July 21, 2006**