

Part Number	<b>CD60B-1FE88106R-M1</b>	Revision
Customer P/N	<b>1497-087</b>	Revision
Capacitance	<b>88 to 106</b>	uF.
Voltage	<b>165</b>	VAC
Dielectric	<b>Aluminum Electrolytic Motor Start</b>	
Terminal Type	<b>Dual .250" X .03" Quick Connect Terminals</b>	
Operating Temperature	<b>-25 to 65</b>	°C.
Dissipation Factor	<b>0.1</b>	max. @ 60 Hz.

# MOTOR Capacitors, Inc.

**Motor Capacitors, Inc.**

**335 Beinoris Drive**

**Wood Dale, Illinois 60191**

**773-774-6666 (Phone) | 773-774-6690 (Fax)**

[www.capacitorindustries.com](http://www.capacitorindustries.com)

[info@capacitorindustries.com](mailto:info@capacitorindustries.com)

	Dimension	Tolerance
Diameter (D)	<b>1.43</b>	<b>0.03</b>
Height (L)	<b>2.75</b>	<b>0.06</b>
Quick-Connect Terminal	<b>double</b>	<b>F</b>


*Dimensions in inches*

Stamping

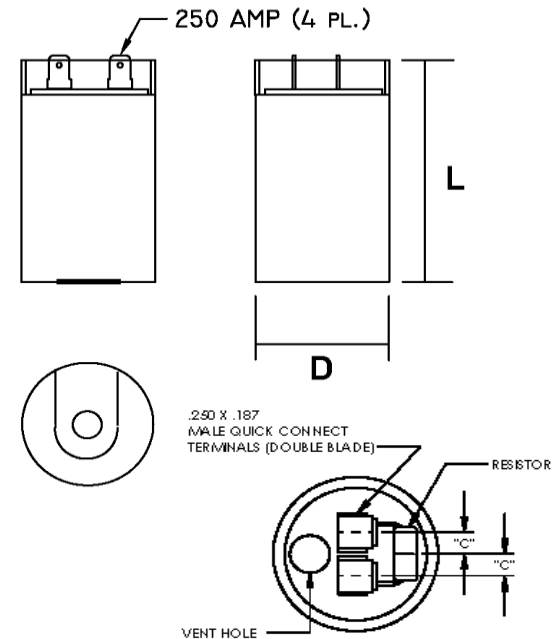
**Motor Capacitors**  
**CD60B-1FE88106R-M1**  
**88-106 uF. 165 VAC**  
**Motor Starting Capacitor**  
**-25 ~ +65 C.**

**RU** (datecode) **RoHS**

**15K Ohm Resistor/1497-087**



**15K Ohm, 2 watt resistor attached**



Approval: J.D. Aldana

Date: **July 10, 2009**