

Part Number	CD60B-1FE590708R-T1		Revision
Customer P/N			Revision
Capacitance	590	to	708 uF.
Voltage	165		VAC
Dielectric	Aluminum Electrolytic Motor Start		
Terminal Type	Dual .250" X .03" Quick Connect Terminals		
Operating Temperature	-25	to	65 °C.
Dissipation Factor	0.1		max. @ 60 Hz.

MOTOR Capacitors, Inc.

Motor Capacitors, Inc.
 335 Beinoris Drive
 Wood Dale, Illinois 60191
 773-774-6666 (Phone) | 773-774-6690 (Fax)
www.capacitorindustries.com
info@capacitorindustries.com


	Dimension	Tolerance
Diameter (D)	2.06	0.02
Terminal Spacing (C)	0.43	ref.
Height (L)	4.38	0.02
Quick-Connect Terminal	double	F

Dimensions in inches

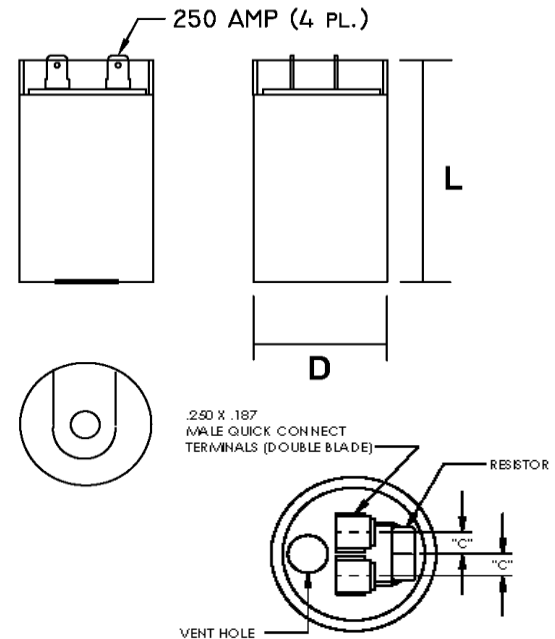
Stamping

Motor Capacitors
CD60B-1FE590708R-T1
590-708 uF. 165 VAC
Motor Starting Capacitor
-25 ~ +65 C. 50/60 Hz
RU (datecode) RoHS

NOTE: 300 Ohm, 8 Watt Discharge Resistor Attached



Type 2 - Standard Duty - 300 Ohm, 8 watt resistor attached



Approval: J.D. Aldana
 Date: May 12, 2017