

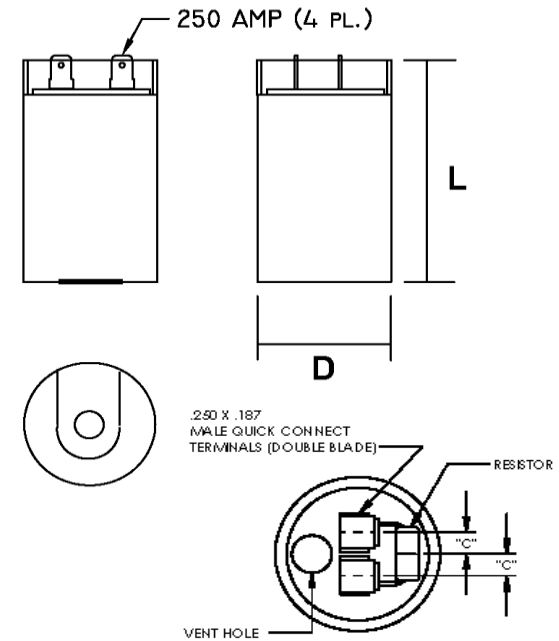
Part Number	CD60B-1FE431518R		Revision
Customer P/N			Revision
Capacitance	431	to	518 uF.
Voltage	165		VAC
Dielectric	Aluminum Electrolytic Motor Start		
Terminal Type	Dual .250" X .03" Quick Connect Terminals		
Operating Temperature	-25	to	65 °C.
Dissipation Factor	0.1		max. @ 60 Hz.

MOTOR Capacitors, Inc.

Motor Capacitors, Inc.
 335 Beinoris Drive
 Wood Dale, Illinois 60191
 773-774-6666 (Phone) | 773-774-6690 (Fax)
www.capacitorindustries.com
info@capacitorindustries.com


	Dimension	Tolerance
Diameter (D)	2.062	0.03
Height (L)	3.37	0.03
Quick-Connect Terminal	double	F

Dimensions in inches



Stamping

Jiekeda - Motor Capacitors
 CD60B-1FE431518R
 431-518 uF. 165 VAC
 Motor Starting Capacitor
 -25 ~ +65 C.

RU cRU (datecode) RoHS 

NOTE: 68K Ohm 1/2 watt Discharge Resistor Attached

Black Resin Fill

Approval: J.D. Aldana
 Date: August 10, 2012