

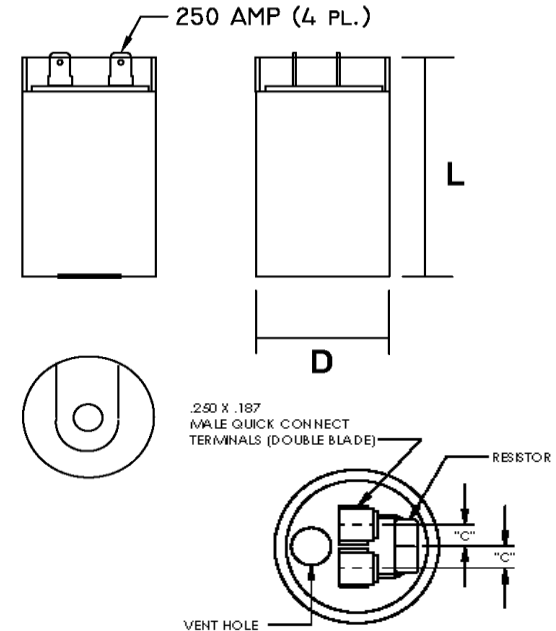
Part Number	CD60B-1FE378455R-T1		Revision
Customer P/N	HC151376		Revision
Capacitance	378	to 455	uF.
Voltage	165	VAC	
Dielectric	Aluminum Electrolytic		
Terminal Type	Dual .250" X .03" Quick Connect Terminals		
Operating Temperature	-25	to 65	°C.
Dissipation Factor	0.1	max. @ 60 Hz.	

MOTOR Capacitors, Inc.

Motor Capacitors, Inc.
 335 Beinoris Drive
 Wood Dale, Illinois 60191
 773-774-6666 (Phone) | 773-774-6690 (Fax)
www.capacitorindustries.com
info@capacitorindustries.com

	Dimension	Tolerance
Diameter (D)	1.43	0.01
Terminal Spacing (C)	0.28	ref.
Height (L)	3.37	0.02
Quick-Connect Terminal	double	F

Dimensions in inches




Stamping

JKD - Motor Capacitors
CD60B-1FE378455R-T1
378-455 uF. 165 VAC -25 ~ +65 C.
Motor Starting Capacitor
HC151376

RU, cRU, CE, (datecode) RoHS

EIA 463 Type 2 - Standard Duty



Type 2 - Standard Duty - 15K Ohm, 2 watt resistor attached

Approval: J.D. Aldana
 Date: August 30, 2021