

Part Number	<b>CD60B-1FE243292R-T1</b>		Revision
Customer P/N	<b>18-1901-65</b>		Revision
Capacitance	<b>243</b>	to	<b>292</b> uF.
Voltage	<b>165</b>		VAC
Dielectric	<b>Aluminum Electrolytic Motor Start</b>		
Terminal Type	<b>Dual .250" X .03" Quick Connect Terminals</b>		
Operating Temperature	<b>-25</b>	to	<b>65</b> °C.
Dissipation Factor	<b>0.1</b>		max. @ 60 Hz.

# MOTOR Capacitors, Inc.


**Motor Capacitors, Inc.**  
**335 Beinoris Drive**  
**Wood Dale, Illinois 60191**  
**773-774-6666 (Phone) | 773-774-6690 (Fax)**  
[www.capacitorindustries.com](http://www.capacitorindustries.com)  
[info@capacitorindustries.com](mailto:info@capacitorindustries.com)

	Dimension	Tolerance
Diameter (D)	<b>2.06</b>	<b>0.03</b>
Terminal Spacing (C)		
Height (L)	<b>4.37</b>	<b>0.03</b>
Quick-Connect Terminal	<b>double</b>	<b>F</b>

*Dimensions in inches*

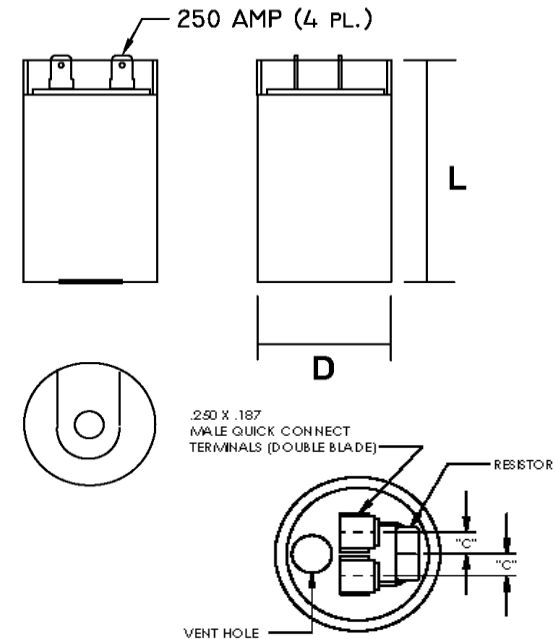
Stamping

**JKD - Motor Capacitors**  
**CD60B-1FE243292R-T1**  
**243-292 uF. 165 VAC**  
**#18-1901-65 Motor Starting Capacitor**  
**-25 ~ +65 C.**

**RU** (datecode) **RoHS CE** 

**15K Ohm Discharge Resistor Attached**

**15K Ohm, 2 watt Resistor Attached Type 2 - Standard Duty**



Approval: J.D. Aldana  
Date: **August 26, 2011**