

Part Number	<b>CD60B-1FE145175R-T1M1</b>	Revision	<b>B</b>
Customer P/N	<b>9181003-43</b>	Revision	<b>B</b>
Capacitance	<b>145</b> to <b>175</b>		<b>uF.</b>
Voltage	<b>165</b>		<b>VAC</b>
Dielectric	<b>Aluminum Electrolytic Motor Start</b>		
Terminal Type	<b>Dual .250" X .03" Quick Connect Terminals</b>		
Operating Temperature	<b>-25</b> to <b>65</b>		<b>°C.</b>
Dissipation Factor	<b>0.1</b>		<b>max. @ 60 Hz.</b>

# MOTOR Capacitors, Inc.


**Motor Capacitors, Inc.**  
**335 Beinoris Drive**  
**Wood Dale, Illinois 60191**  
**773-774-6666 (Phone) | 773-774-6690 (Fax)**  
[www.capacitorindustries.com](http://www.capacitorindustries.com)  
[info@capacitorindustries.com](mailto:info@capacitorindustries.com)

	<b>Dimension</b>	<b>Tolerance</b>
Diameter (D)	<b>1.42</b>	<b>0.03</b>
Terminal Spacing (C)	<b>0.32</b>	<b>0.02</b>
Height (L)	<b>2.73</b>	<b>0.03</b>
Quick-Connect Terminal	<b>double</b>	<b>F</b>

*Dimensions in inches*

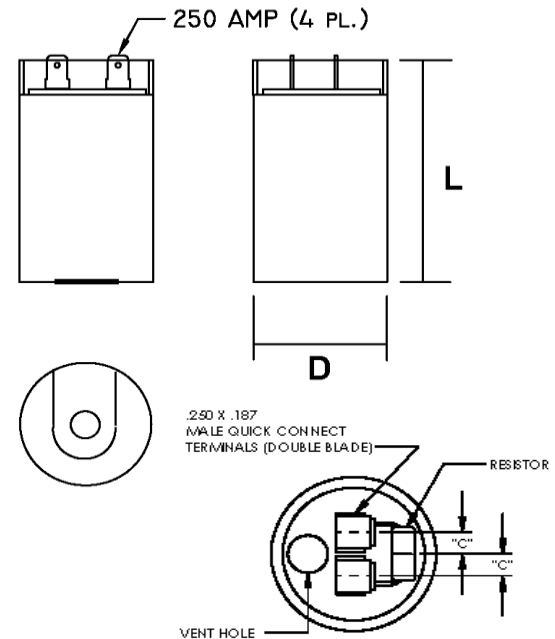
Stamping

**JKD - Motor Capacitors**  
**CD60B-1FE145175R-T1M1**  
**145-175 uF. 165 VAC**  
**#9181003-43 Motor Starting Capacitor**  
**-25 ~ +65 C.**

**RU** (datecode) **RoHS CE TUV**  **US**

**Type 1 - Heavy Duty 18K Ohm Discharge Resistor**

**Type 1 - Heavy Duty 18K Ohm, 2 watt Resistor Attached**



Approval: J.D. Aldana  
Date: June 6, 2013