


Part Number	<b>CD60B-1FE130156</b>		Revision
Customer P/N			Revision
Capacitance	<b>130</b>	to	<b>156</b> uF.
Voltage	<b>165</b>		VAC
Dielectric	<b>Aluminum Electrolytic Motor Start</b>		
Terminal Type	<b>Dual .250" X .03" Quick Connect Terminals</b>		
Operating Temperature	<b>-25</b>	to	<b>65</b> °C.
Dissipation Factor	<b>0.1</b>		max. @ 60 Hz.

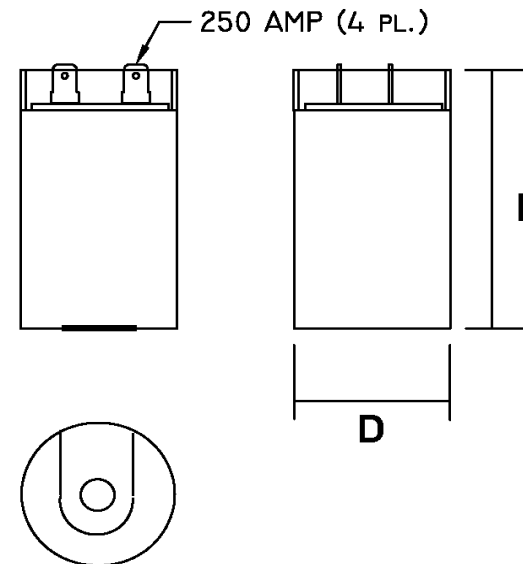
# MOTOR Capacitors, Inc.

**Motor Capacitors, Inc.**  
 335 Beinoris Drive  
 Wood Dale, Illinois 60191  
 773-774-6666 (Phone) | 773-774-6690 (Fax)  
[www.capacitorindustries.com](http://www.capacitorindustries.com)  
[info@capacitorindustries.com](mailto:info@capacitorindustries.com)

	Dimension	Tolerance
Diameter (D)	<b>1.50</b>	<b>0.03</b>
Height (L)	<b>3.42</b>	<b>0.03</b>
Quick-Connect Terminal	<b>double</b>	<b>F</b>

*Dimensions in inches*

Stamping	<b>Motor Starting Capacitor</b> <b>165 VAC</b> <b>130 - 156 MFD</b> <b>0 ~ 20%</b> <b>50/60 Hz</b> <b>UL, cUL</b>	
----------	--	---



Approval: J.D. Aldana  
 Date **November 3, 2015**