

Part Number	CD60B-1BE431518RT1	Revision
Customer P/N	PA0476P01	Revision
Capacitance	431 to 518	uF.
Voltage	125	VAC
Dielectric	Aluminum Electrolytic Motor Start	
Terminal Type	Dual .250" X .03" Quick Connect Terminals	
Operating Temperature	-25 to 65	°C.
Dissipation Factor	0.1	max. @ 60 Hz.

MOTOR Capacitors, Inc.


Motor Capacitors, Inc.
335 Beinoris Drive
Wood Dale, Illinois 60191
773-774-6666 (Phone) | 773-774-6690 (Fax)
www.capacitorindustries.com
info@capacitorindustries.com

	Dimension	Tolerance
Diameter (D)	2.062	0.03
Height (L)	3.37	0.03
Quick-Connect Terminal	double	F

Dimensions in inches

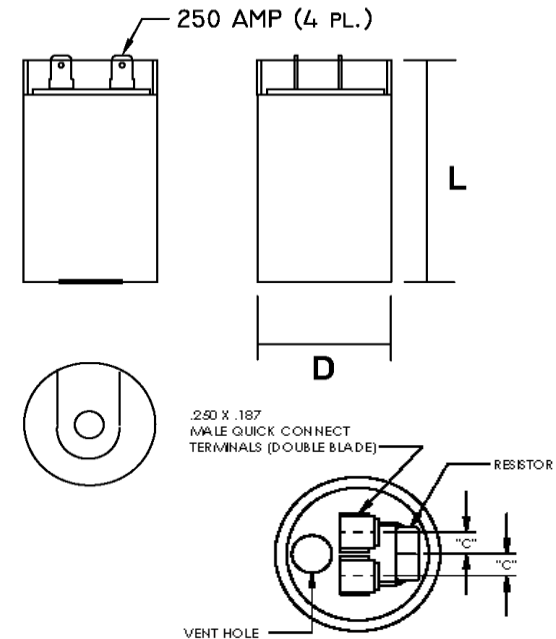
Stamping

Jiekeda - Motor Capacitors
CD60B-1BE431518RT1
431-518 uF. 125 VAC -25 ~ +65 C.
Motor Starting Capacitor
Part # PA0476P01

RU cRU (datecode) RoHS 

NOTE: 15K Ohm 2 watt Discharge Resistor Attached

Type 2 - Standard Duty Black Resin Fill
High Quality. Heavy Duty Cover & Ring.



Approval: J.D. Aldana
Date: **November 1, 2013**