

Part Number	<b>CD60B-1BE431518R-M1</b>	Revision
Customer P/N	<b>PA0476P01</b>	Revision
Capacitance	<b>431 to 518</b>	uF.
Voltage	<b>125</b>	VAC
Dielectric	<b>Aluminum Electrolytic Motor Start</b>	
Terminal Type	<b>Dual .250" X .03" Quick Connect Terminals</b>	
Operating Temperature	<b>-25</b>	to <b>65</b> °C.
Dissipation Factor	<b>0.1</b>	max. @ 60 Hz.

# MOTOR Capacitors, Inc.


**Motor Capacitors, Inc.**  
 335 Beinoris Drive  
 Wood Dale, Illinois 60191  
 773-774-6666 (Phone) | 773-774-6690 (Fax)  
[www.capacitorindustries.com](http://www.capacitorindustries.com)  
[info@capacitorindustries.com](mailto:info@capacitorindustries.com)

	Dimension	Tolerance
Diameter (D)	<b>2.062</b>	<b>0.03</b>
Terminal Spacing (C)	<b>0.42</b>	<b>ref.</b>
Height (L)	<b>3.37</b>	<b>0.03</b>
Quick-Connect Terminal	<b>double</b>	<b>F</b>

*Dimensions in inches*

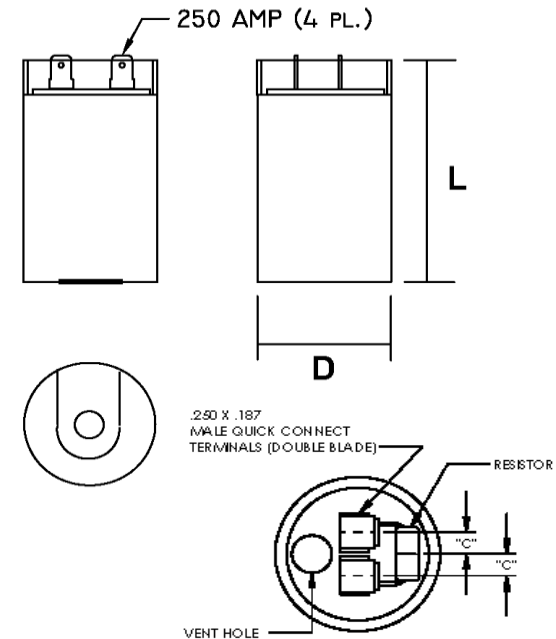
Stamping

**Jiekeda - Motor Capacitors**  
**CD60B-1BE431518R-M1**  
**431-518 uF. 125 VAC -25 ~ +65 C.**  
**Motor Starting Capacitor**  
**Part # PA0476P01**

**RU cRU (datecode) RoHS** 

**NOTE: 68K Ohm 1/2 watt Discharge Resistor Attached**

**Black Resin Fill**  
**High Quality. Heavy Duty Cover & Ring.**



Approval: J.D. Aldana  
 Date: **October 18, 2012**