

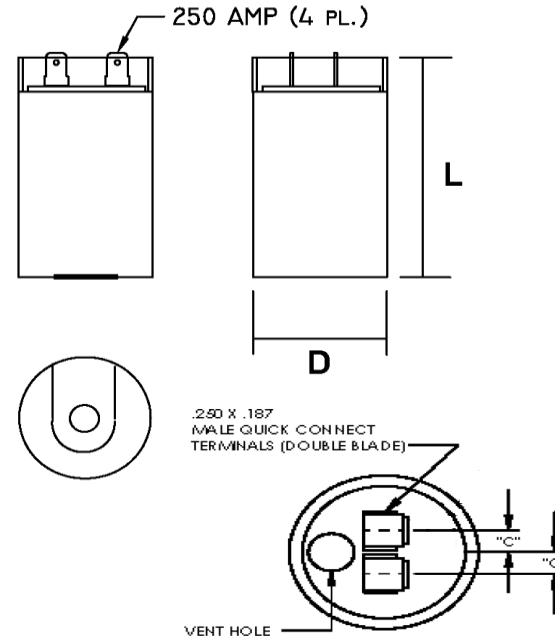
Part Number	CD60B-1BE378440-T1M1	Revision	B
Customer P/N	9181003-39	Revision	B
Capacitance	378 to 440		uF.
Voltage	125		VAC
Dielectric	Aluminum Electrolytic		
Terminal Type	Dual .250" X .03" Quick Connect Terminals		
Operating Temperature	-25 to 65		°C.
Dissipation Factor	0.1		max. @ 60 Hz.

MOTOR Capacitors, Inc.


Motor Capacitors, Inc.
 335 Beinoris Drive
 Wood Dale, Illinois 60191
 773-774-6666 (Phone) | 773-774-6690 (Fax)
www.capacitorindustries.com
info@capacitorindustries.com

	Dimension	Tolerance
Diameter (D)	1.81	0.03
Terminal Spacing (C)	0.32	0.02
Height (L)	3.38	0.03
Quick-Connect Terminal	double	F

Dimensions in inches



Stamping

JKD - Motor Capacitors
CD60B-1BE378440-T1M1
378-440 uF., 125 VAC
#9181003-39 Motor Starting Capacitor
-25 ~ +65 C.
RU (datecode) RoHS CE TUV 
Type 1 - Heavy Duty

Type 1 - Heavy Duty

Approval: *J. D. Aldana*
 Date: **June 6, 2013**