

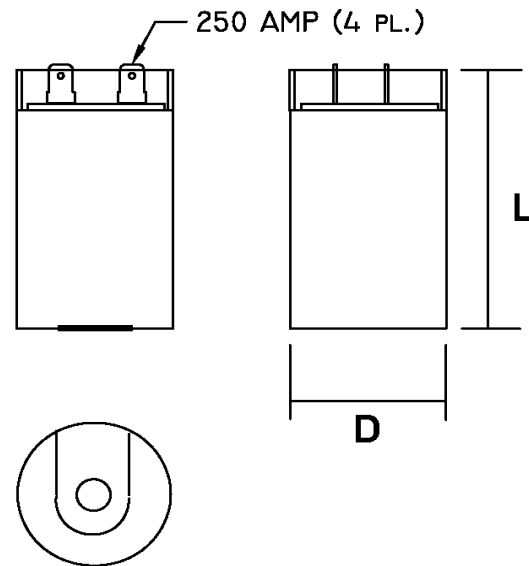
Part Number	CD60B-1AJ829995		Revision
Customer P/N	1029C		Revision
Capacitance	829	to	995 uF.
Voltage	110		VAC
Dielectric	Aluminum Electrolytic Motor Start		
Terminal Type	Dual .250" X .03" Quick Connect Terminals		
Operating Temperature	-25	to	65 °C.
Dissipation Factor	0.1		max. @ 60 Hz.

MOTOR Capacitors, Inc.

Motor Capacitors, Inc.
 335 Beinoris Drive
 Wood Dale, Illinois 60191
 773-774-6666 (Phone) | 773-774-6690 (Fax)
www.capacitorindustries.com
info@capacitorindustries.com


	Dimension	Tolerance
Diameter (D)	2.062	0.03
Height (L)	4.38	0.06
Quick-Connect Terminal	double	F

Dimensions in inches



Stamping

Motor Capacitors
CD60B-1AJ829995
829-995 uF. 110 VAC
Motor Starting Capacitor
-25 ~ +65 C.
RU (datecode) RoHS




Approval: *J.D. Aldana*
 Date **January 3, 2006**