

SEI CAPACITORS

SEI Capacitors, Inc.

335 Beinoris Drive, Wood Dale, IL 60191

Phone: 773-774-6666

Fax: 773-774-6690

www.capacitorindustries.com

CD296 SERIES

Aluminum Electrolytic Capacitors

- Features:
- Long rated life of 3,000 hours at 105 °C
 - Wide temperature
 - High ripple current



SPECIFICATION

Operating Temperature Range (°C)	-40 ~ +105	-25 ~ +105 (250 ~ 450 WV)																
Rated Voltage Range (V)	16 ~ 450																	
Nominal Capacitance Range (uF)	47 ~ 47,000																	
Capacitance Tolerance (20 °C, 120 Hz)	± 20%																	
Leakage Current (uA)	I ≤ 0.01CV or 1.5 mA whichever is smaller (at 20 °C, after 5 minutes) C = Nominal capacitance (uF); V = Rated voltage (V)																	
Dissipation Factor (20 °C, 120 Hz)	<table border="1"> <tr> <td>Rated Voltage (V)</td> <td>16</td> <td>25</td> <td>35</td> <td>50</td> <td>63 ~ 100</td> <td>160 ~ 400</td> <td>400 ~ 450</td> </tr> <tr> <td>D.F. (Max)</td> <td>0.50</td> <td>0.40</td> <td>0.35</td> <td>0.30</td> <td>0.20</td> <td>0.15</td> <td>0.20</td> </tr> </table>		Rated Voltage (V)	16	25	35	50	63 ~ 100	160 ~ 400	400 ~ 450	D.F. (Max)	0.50	0.40	0.35	0.30	0.20	0.15	0.20
Rated Voltage (V)	16	25	35	50	63 ~ 100	160 ~ 400	400 ~ 450											
D.F. (Max)	0.50	0.40	0.35	0.30	0.20	0.15	0.20											
Temperature Stability (120 Hz)	<table border="1"> <tr> <td colspan="2">Rated Voltage (V)</td> <td>16 ~ 100</td> <td>160 ~ 200</td> <td>250 ~ 450</td> </tr> <tr> <td rowspan="2">Impedance Ratio</td> <td>Z-25 °C / Z+20 °C</td> <td>4</td> <td>4</td> <td>4</td> </tr> <tr> <td>Z-40 °C / Z+20 °C</td> <td>15</td> <td></td> <td>-</td> </tr> </table>		Rated Voltage (V)		16 ~ 100	160 ~ 200	250 ~ 450	Impedance Ratio	Z-25 °C / Z+20 °C	4	4	4	Z-40 °C / Z+20 °C	15		-		
Rated Voltage (V)		16 ~ 100	160 ~ 200	250 ~ 450														
Impedance Ratio	Z-25 °C / Z+20 °C	4	4	4														
	Z-40 °C / Z+20 °C	15		-														
Load Life (+105 °C)	<table border="1"> <tr> <td>Time</td> <td>3,000 hours</td> </tr> <tr> <td>Leakage Current</td> <td>Not more than the initial specified value</td> </tr> <tr> <td>Capacitance Change</td> <td>Within ± 20% of the initial value</td> </tr> <tr> <td>Dissipation Factor</td> <td>Not more than 200% of the specified value</td> </tr> </table>		Time	3,000 hours	Leakage Current	Not more than the initial specified value	Capacitance Change	Within ± 20% of the initial value	Dissipation Factor	Not more than 200% of the specified value								
Time	3,000 hours																	
Leakage Current	Not more than the initial specified value																	
Capacitance Change	Within ± 20% of the initial value																	
Dissipation Factor	Not more than 200% of the specified value																	
Shelf Life (+105 °C)	<table border="1"> <tr> <td>Time</td> <td>500 hours</td> </tr> <tr> <td>Leakage Current</td> <td>Not more than the initial specified value</td> </tr> <tr> <td>Capacitance Change</td> <td>Within ± 20% of the initial value</td> </tr> <tr> <td>Dissipation Factor</td> <td>Not more than 200% of the specified value</td> </tr> </table>		Time	500 hours	Leakage Current	Not more than the initial specified value	Capacitance Change	Within ± 20% of the initial value	Dissipation Factor	Not more than 200% of the specified value								
Time	500 hours																	
Leakage Current	Not more than the initial specified value																	
Capacitance Change	Within ± 20% of the initial value																	
Dissipation Factor	Not more than 200% of the specified value																	

SEI CAPACITORS

SEI Capacitors, Inc.

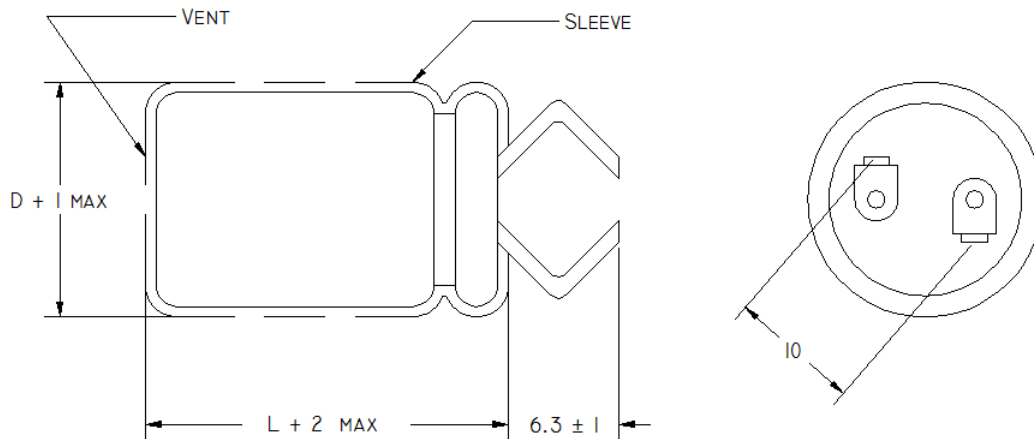
335 Beinoris Drive, Wood Dale, IL 60191

Phone: 773-774-6666

Fax: 773-774-6690

www.capacitorindustries.com

DIMENSIONS



Dimensions are in millimeters (mm)

RIPPLE CURRENT MULTIPLIER

Frequency Rated Voltage (V)	50	120	1K	10K	20K
≤ 100	0.95	1	1.10	1.15	1.15
160 ~ 250	0.87	1	1.11	1.18	1.2
≥ 315	0.80	1	1.14	1.14	1.2

Frequency Coefficient

Temperature	+40	+55	+70	+85	+105
Coefficient	2.7	2.5	2.1	1.7	1.0

Temperature Coefficient

SEI CAPACITORS

SEI Capacitors, Inc.

335 Beinoris Drive, Wood Dale, IL 60191

Phone: 773-774-6666

Fax: 773-774-6690

www.capacitorindustries.com

STANDARD RATINGS

WV (V) DxL (mm)	16		25		35		50		63		80		100	
	Cap (uF)	Ripple (A)	Cap (uF)	Ripple (A)	Cap (uF)	Ripple (A)	Cap (uF)	Ripple (A)	Cap (uF)	Ripple (A)	Cap (uF)	Ripple (A)	Cap (uF)	Ripple (A)
22x25	6,800	1.6	4,700	1.55	3,300	1.43	2,200	1.31	1,200	1.25	820	1.11	560	1.07
22x30	10,000	1.99	6,800	1.91	3,900	1.65	2,700	1.70	1,800	1.52	1,200	1.39	820	1.35
22x35	12,000	2.28	8,200	2.14	5,600	2.02	3,300	1.98	2,200	1.73	1,500	1.61	1,000	1.54
22x40	15,000	2.64	10,000	2.40	6,800	2.28	3,900	2.25	2,700	1.97	1,800	1.83	1,200	1.74
22x45	18,000	2.98	12,000	2.69			4,700	2.56			2,200	2.09	1,500	1.99
22x50					8,200	2.67	6,800	2.89	3,300	2.32				
25x25	1,000	1.99	6,800	1.91	4,700	1.78	2,700	1.7	1,800	1.52	1,200	1.39	820	1.35
25x30	12,000	2.3	8,200	2.16	5,600	2.04	3,300	2.00	2,200	1.75	1,500	1.62	1,000	1.56
25x35	15,000	2.68	10,000	2.44	6,800	2.31	3,900	2.28	2,700	1.99	2,200	2.01	1,200	1.76
25x40	18,000	3.04	12,000	2.74	8,200	2.60	5,600	2.81	3,300	2.27	-		1,500	2.03
25x45	22,000	3.4	15,000	3.15	10,000	2.92			3,900	2.54	2,700	2.43	1,800	2.28
25x50	27,000	3.81	18,000	3.54	12,000	3.26	6,800	3.37	4,700	2.88	3,300	2.76	2,200	2.57
30x25	12,000	2.38	8,200	2.25	5,600	2.12	3,900	2.22	2,700	1.93	1,800	1.81	1,200	1.71
30x30	18,000	3.00	10,000	2.70	8,200	2.56	4,700	2.58	3,300	2.24	2,200	2.10	1,500	2.00
30x35	22,000	3.39	15,000	3.13	10,000	2.92	5,600	2.95	3,900	2.55	2,700	2.43	1,800	2.27
30x40	27,000	3.83	18,000	3.54	12,000	3.28	6,800	3.39	4,700	2.9	3,300	2.78	2,200	2.59
30x45	33,000	4.3	22,000	4.24	15,000	3.74	8,200	3.71	5,600	3.28	3,900	3.12	2,700	2.94
30x50	39,000	4.74	-	-	-	-	10,000	4.09	6,800	3.73	4,700	3.56	3,300	3.32
35x25	18,000	3.10	12,000	2.80	8,200	2.78	4,700	2.67	3,300	2.41	2,200	2.17	1,500	2.07
35x30	27,000	3.75	15,000	3.22	12,000	3.20	6,800	3.31	4,700	2.83	3,300	2.71	2,200	2.52
35x35	33,000	4.24	22,000	3.96	15,000	3.69	8,200	3.66	5,600	3.24	3,900	3.07	2,700	2.90
35x40	39,000	4.72	-	-	18,000	4.16	10,000	4.07	6,800	3.71	4,700	3.50	3,300	3.31
35x45	47,000	5.27	27,000	4.75	-	-	12,000	4.50	8,200	4.16	5,600	3.87	3,900	3.69
35x50	-	-	33,000	5.39	22,000	4.92	-	-	10,000	4.69	6,800	4.19	4,700	4.14

Ripple Current: 105 °C, 100 Hz or 120 Hz.

Specific capacitance and case sizes are available upon request.