

SEI CAPACITORS

SEI Capacitors, Inc.

335 Beinoris Drive, Wood Dale, IL 60191

Phone: 773-774-6666

Fax: 773-774-6690

www.capacitorindustries.com

CD292 SERIES

Aluminum Electrolytic Capacitors

- Features:
- Long rated life of 2,000 hours at 85 °C
 - Snap-In (4-Pins) Terminals



SPECIFICATION

Operating Temperature Range (°C)	-40 ~ +85		-25 ~ +85																																										
Rated Voltage Range (V)	10 ~ 100		160 ~ 450																																										
Nominal Capacitance Range (uF)	1800 ~ 82000		180 ~ 2200																																										
Capacitance Tolerance (20 °C, 120 Hz)	± 20%																																												
Leakage Current (uA)	I ≤ 0.01CV or 1.5 mA whichever is smaller (at 20 °C, after 5 minutes) C = Nominal capacitance (uF); V = Rated voltage (V)																																												
Dissipation Factor (20 °C, 120 Hz)	<table border="1"> <thead> <tr> <th rowspan="2">Rated Capacitance (uF)</th> <th colspan="5">Rated Voltage (V)</th> </tr> <tr> <th>10-16</th> <th>25</th> <th>35-50</th> <th>63</th> <th>80-100</th> </tr> </thead> <tbody> <tr> <td>≤ 2,700</td> <td>-</td> <td>-</td> <td>0.20</td> <td>0.15</td> <td>0.15</td> </tr> <tr> <td>3,300 - 4,700</td> <td>-</td> <td>0.35</td> <td>0.25</td> <td>0.20</td> <td>0.15</td> </tr> <tr> <td>5,600 - 6,800</td> <td>0.40</td> <td>0.35</td> <td>0.30</td> <td>0.20</td> <td>0.20</td> </tr> <tr> <td>≥ 8,200</td> <td>0.40</td> <td>0.35</td> <td>0.35</td> <td>0.25</td> <td></td> </tr> </tbody> </table>						Rated Capacitance (uF)	Rated Voltage (V)					10-16	25	35-50	63	80-100	≤ 2,700	-	-	0.20	0.15	0.15	3,300 - 4,700	-	0.35	0.25	0.20	0.15	5,600 - 6,800	0.40	0.35	0.30	0.20	0.20	≥ 8,200	0.40	0.35	0.35	0.25					
	Rated Capacitance (uF)	Rated Voltage (V)																																											
10-16		25	35-50	63	80-100																																								
≤ 2,700	-	-	0.20	0.15	0.15																																								
3,300 - 4,700	-	0.35	0.25	0.20	0.15																																								
5,600 - 6,800	0.40	0.35	0.30	0.20	0.20																																								
≥ 8,200	0.40	0.35	0.35	0.25																																									
<table border="1"> <thead> <tr> <th rowspan="2">Diameter (mm)</th> <th colspan="2">Rated Voltage (V)</th> </tr> <tr> <th>160-200</th> <th>250-450</th> </tr> </thead> <tbody> <tr> <td>35</td> <td>0.12</td> <td>0.15</td> </tr> </tbody> </table>						Diameter (mm)	Rated Voltage (V)		160-200	250-450	35	0.12	0.15																																
Diameter (mm)	Rated Voltage (V)																																												
	160-200	250-450																																											
35	0.12	0.15																																											
Temperature Stability (120 Hz)	<table border="1"> <thead> <tr> <th colspan="2">Rated Voltage (V)</th> <th>10</th> <th>16-35</th> <th>50-100</th> <th>160-200</th> <th>250-400</th> <th>450</th> </tr> </thead> <tbody> <tr> <td rowspan="2">Impedance Ratio</td> <td>Z-25 °C</td> <td>5</td> <td>4</td> <td>3</td> <td>3</td> <td>4</td> <td>4</td> </tr> <tr> <td>Z+20 °C</td> <td></td> <td></td> <td></td> <td></td> <td></td> <td></td> </tr> <tr> <td rowspan="2">Impedance Ratio</td> <td>Z-40 °C</td> <td>18</td> <td>15</td> <td>10</td> <td>6</td> <td>8</td> <td>-</td> </tr> <tr> <td>Z+20 °C</td> <td></td> <td></td> <td></td> <td></td> <td></td> <td></td> </tr> </tbody> </table>							Rated Voltage (V)		10	16-35	50-100	160-200	250-400	450	Impedance Ratio	Z-25 °C	5	4	3	3	4	4	Z+20 °C							Impedance Ratio	Z-40 °C	18	15	10	6	8	-	Z+20 °C						
	Rated Voltage (V)		10	16-35	50-100	160-200	250-400	450																																					
	Impedance Ratio	Z-25 °C	5	4	3	3	4	4																																					
Z+20 °C																																													
Impedance Ratio	Z-40 °C	18	15	10	6	8	-																																						
	Z+20 °C																																												

SEI-CAPACITORS

SEI Capacitors, Inc.

335 Beinoris Drive, Wood Dale, IL 60191

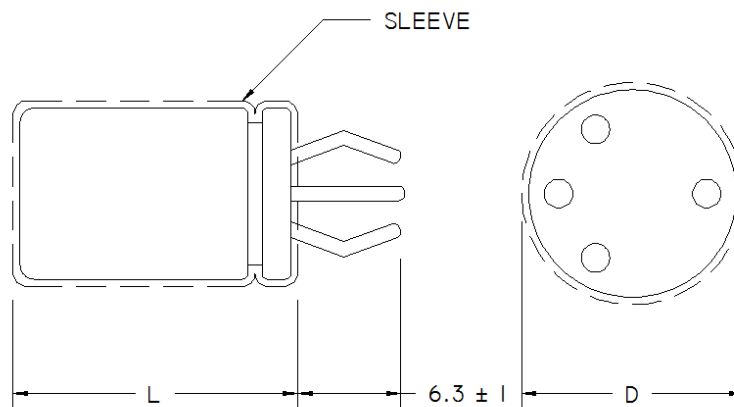
Phone: 773-774-6666

Fax: 773-774-6690

www.capacitorindustries.com

Load Life (+85 °C)	Time	2,000 hours
	Leakage Current	Not more than the initial specified value
	Capacitance Change	Within ± 20% of the initial value
	Dissipation Factor	Not more than 200% of the specified value
Shelf Life (+85 °C)	Time	500 hours
	Leakage Current	Not more than the initial specified value
	Capacitance Change	Within ± 15% of the initial value
	Dissipation Factor	Not more than 200% of the specified value

DIMENSIONS



Dimensions are in millimeters (mm)

RIPPLE CURRENT MULTIPLIER

Frequency (Hz) \ Rated Voltage (V)	50	120	1K	10K	20K
≤ 50	0.95	1	1.10	1.15	1.15
63 ~ 100	0.95	1	1.16	1.30	1.33
≥ 160	0.95	1	1.20	1.50	1.55

Frequency Coefficient

Temperature (°C) \ Rated Voltage (V)	+40	+55	+70	+85
< 160	2.1	1.8	1.5	1
≥ 160	1.7	1.5	1.3	1

Temperature Coefficient

SEI-CAPACITORS

SEI Capacitors, Inc.

335 Beinoris Drive, Wood Dale, IL 60191

Phone: 773-774-6666

Fax: 773-774-6690

www.capacitorindustries.com

STANDARD RATINGS

WV (V) DxL (mm)	10		16		25		35	
	Cap (uF)	Ripple (A)	Cap (uF)	Ripple (A)	Cap (uF)	Ripple (A)	Cap (uF)	Ripple (A)
35x25	33000	4.8	22000	4.4	15000	3.9	8200	2.9
35x30	47000	6.0	33000	5.6	18000	4.4	12000	3.6
35x35	56000	6.8	39000	6.3	22000	5.0	15000	4.1
35x40	68000	7.7	47000	7.2	33000	6.5	18000	4.7
35x45	82000	8.7	56000	8.0	39000	7.5	22000	5.3
35x50	-	-	-	-	-	-	27000	7.0

WV (V) DxL (mm)	50		63		80		100	
	Cap (uF)	Ripple (A)	Cap (uF)	Ripple (A)	Cap (uF)	Ripple (A)	Cap (uF)	Ripple (A)
35x25	5600	2.6	3900	2.7	2700	2.5	1800	2.2
35x30	8200	3.0	5600	3.3	3900	3.2	2200	2.5
35x35	10000	3.4	6800	3.7	4700	3.6	3300	3.1
35x40	12000	3.8	8200	3.8	5600	3.5	3900	3.4
35x45	-	-	10000	4.3	-	-	-	-
35x50	15000	4.5	12000	4.8	6800	4.1	4700	4.0

WV (V) DxL (mm)	160		180		200		250	
	Cap (uF)	Ripple (A)	Cap (uF)	Ripple (A)	Cap (uF)	Ripple (A)	Cap (uF)	Ripple (A)
35x25	820	2.4	680	2.2	560	2.0	470	1.9
35x30	1000	2.7	820	2.5	820	2.5	680	2.4
35x35	1200	3.0	1200	3.1	1000	2.8	820	2.6
35x40	1500	3.5	-	-	1200	3.2	1000	3.0
35x45	1800	3.9	1500	3.6	-	-	1200	3.4
35x50	2200	4.5	1800	4.1	1500	3.8	-	-

WV (V) DxL (mm)	315		350		400		450	
	Cap (uF)	Ripple (A)	Cap (uF)	Ripple (A)	Cap (uF)	Ripple (A)	Cap (uF)	Ripple (A)
35x25	270	1.3	220	1.3	180	1.2	180	1.2
35x30	390	1.6	330	1.6	270	1.5	220	1.3
35x35	470	1.8	390	1.8	330	1.7	270	1.5
35x40	560	2.0	470	2.0	390	1.8	-	-
35x45	680	2.3	560	2.3	470	2.1	390	1.9
35x50	-	-	680	2.6	560	2.3	470	2.2

Ripple Current: 85 °C, 100 Hz or 120 Hz.

Specific capacitance and case sizes are available upon request.