

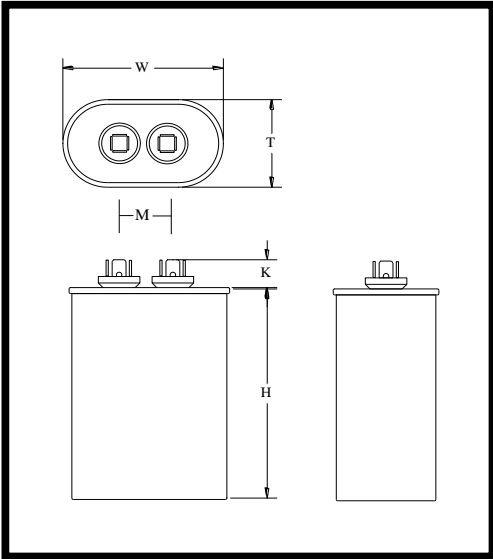
Part Number	<b>CBB66A-550V406</b>	Revision	<b>B</b>
Customer P/N		Revision	<b>B</b>
Capacitance	<b>40</b>	uF.	Tolerance <b>5.0%</b>
Voltage	<b>550</b>	VAC	
Dielectric	<b>Metallized Polypropylene</b>		
Terminal Type	<b>.250" Quad-Spade Quick Connect Terminals</b>		
Operating Temperature	<b>-25 °C.-</b>	<b>100 °C.</b>	
Dissipation Factor	<b>0.002</b>	maximum	@ 60 Hz.

# MOTOR Capacitors, Inc.

Motor Capacitors, Inc.  
 335 Beinoris Drive  
 Wood Dale, Illinois 60191  
 773-774-6666 (Phone) | 773-774-6690 (Fax)  
[www.capacitorindustries.com](http://www.capacitorindustries.com)  
[info@capacitorindustries.com](mailto:info@capacitorindustries.com)

	Dimension	Tolerance
Case / Cover Width (W)	<b>3.54</b>	<b>0.04</b>
Case / Cover Thickness (T)	<b>1.89</b>	<b>0.04</b>
Case Height (H)	<b>3.86</b>	<b>0.12</b>
Terminal Height (K)	<b>0.56</b>	ref.
Terminal-Terminal (M)	<b>0.79</b>	ref.
Insulating Cup (dia.)	<b>0.70</b>	ref.


*Dimensions in inches*



Stamping

**AHJK - Motor Cap**  
**CBB66A-550V406**  
**40 uF +/-5% 550VAC**  
**100 C Max. 50/60Hz.**  
**C22.2 No. 190-M1985 AMB46C**  
**Protected 10,000 AFC**

**Non PCB RU cRU Date Code RoHS**



**Oil-Filled, Aluminum Can Lighting Capacitor**  
**UL810 UL-cUL Approval (540 VAC); Rated 60,000 Hrs**  
**Rated Power (550 VAC @ 50 Hz) = 3.8 KVAR**  
**Rated Current (550 VAC @ 50 Hz) = 6.91 A**

Approval: J. D. Aldana  
 Date: March 7, 2016