

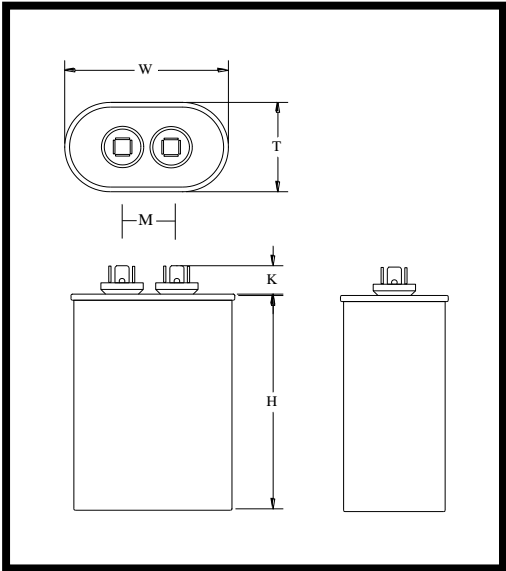
Part Number	CBB66A-540V326		Revision
Customer P/N			Revision
Capacitance	32	uF.	Tolerance 5.0%
Voltage	540	VAC	
Dielectric	Metallized Polypropylene		
Terminal Type	.250" Quad-Spade Quick Connect Terminals		
Operating Temperature	-25 °C.-	100 °C.	
Dissipation Factor	0.0001	maximum	@ 60 Hz.

MOTOR Capacitors, Inc.

Motor Capacitors, Inc.
 335 Beinoris Drive
 Wood Dale, Illinois 60191
 773-774-6666 (Phone) | 773-774-6690 (Fax)
www.capacitorindustries.com
info@capacitorindustries.com

	Dimension	Tolerance
Case / Cover Width (W)	3.54	0.06
Case / Cover Thickness (T)	1.89	0.06
Case Height (H)	3.90	0.06
Terminal Height (K)	0.56	ref.
Terminal-Terminal (M)	0.83	ref.
Insulating Cup (dia.)	0.74	


Dimensions in inches



Stamping

AHJK - Motor Cap
CBB66A-540V326
32 uF 5% 540VAC
100 C Max. 50/60Hz.
Protected 10,000 AFC
RU

Non PCB Date Code RoHs



Metal Halide Lighting Capacitor

Approval: J. D. Aldana
 Date August 19, 2009