

Part Number	CBB66A-540V0332		Revision
Customer P/N			Revision
Capacitance	32 + 3	uF.	Tolerance 3%
Voltage	540	VAC	
Dielectric	Metallized Polypropylene		
Terminal Type	.250" Quad-Spade Quick Connect Terminals		
Operating Temperature	-25	100 °C.	
Dissipation Factor	0.002	maximum @ 60 Hz.	

# MOTOR Capacitors, Inc.

Motor Capacitors, Inc.

335 Beinoris Drive

Wood Dale, Illinois 60191

773-774-6666 (Phone) | 773-774-6690 (Fax)


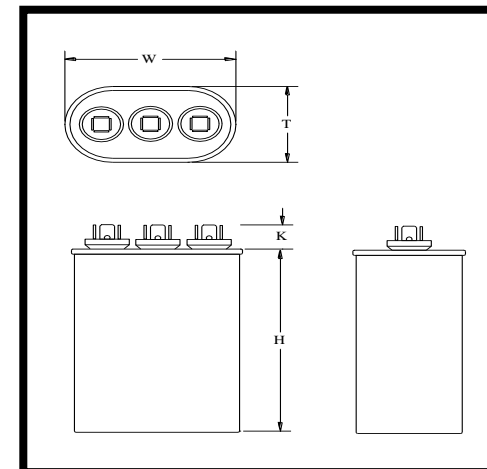
[www.capacitorindustries.com](http://www.capacitorindustries.com)

[info@capacitorindustries.com](mailto:info@capacitorindustries.com)

	Dimension	Tolerance
Case Width (W)	3.54	0.06
Case Thickness (T)	1.89	0.06
Case Height (H)	4.53	0.06
Terminal Height (K)	0.56	ref.
Terminal-Terminal (M)	0.83	ref.
Insulating Cup (dia.)	0.74	

*Dimensions in inches*

<b>Stamping</b>	
AHJK - Motor Cap	
CBB66A-540V0332	
32/3 uF +/-3% 540VAC	
100 C Max. 50/60Hz.	
Protected 10,000 AFC	
Internal Resistor	
RU Non PCB Date Code RoHs	

<b>Dual Lighting Capacitor</b>
Internal Resistor 1 watt, 470k
Resistor 1 watt, 470k

Engineer J.D. Aldana  
Date March 26, 2013