

Part Number	CBB66A-540V0329E		Revision
Customer P/N			Revision
Capacitance	29.5 + 3	uF.	Tolerance 3%
Voltage	540	VAC	
Dielectric	Metallized Polypropylene		
Terminal Type	.250" Quad-Spade Quick Connect Terminals		
Operating Temperature	-25	100 °C.	
Dissipation Factor	0.002	maximum @ 60 Hz.	

MOTOR Capacitors, Inc.

Motor Capacitors, Inc.

335 Beinoris Drive

Wood Dale, Illinois 60191

773-774-6666 (Phone) | 773-774-6690 (Fax)


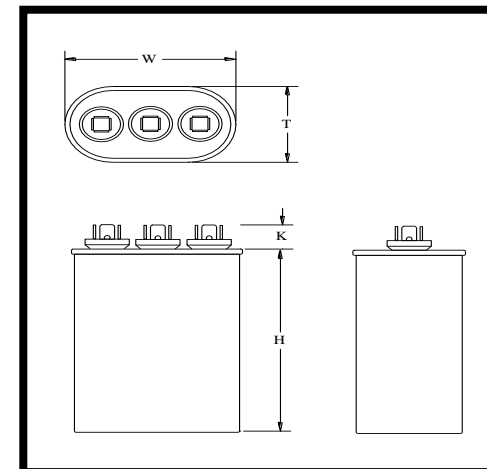
www.capacitorindustries.com

info@capacitorindustries.com

	Dimension	Tolerance
Case Width (W)	3.54	0.06
Case Thickness (T)	1.89	0.06
Case Height (H)	4.53	0.06
Terminal Height (K)	0.56	ref.
Terminal-Terminal (M)	0.83	ref.
Insulating Cup (dia.)	0.74	

Dimensions in inches

Stamping	
	AHJK - Motor Cap
	CBB66A-540V0329E
	29.5/3 uF +/-3% 540VAC
	100 C Max. 50/60Hz.
	Protected 10,000 AFC
	Internal Resistor
	RU Non PCB Date Code RoHs

Dual Lighting Capacitor
Internal Resistor 1 watt, 470k
Resistor 1 watt, 470k

Engineer J.D. Aldana
Date May 14, 2013